



MatriX

# MatriX

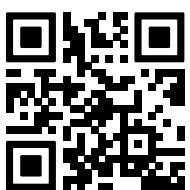
The MatriX models are recognisable by their camp-fire design of logs. The fire effect of our MatriX fires is incredibly realistic at any flame height. Thanks to the various dimensions, models and options, the MatriX will meet extremely wide-ranging cosiness requirements.



## Why opt for the MatriX:

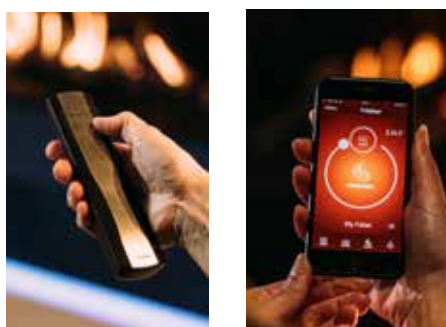
- Plenty of choice in sizes and models; there is always a MatriX fire to suit your situation.
- With (optional) Symbio® ember bed lighting; for an even richer fire effect with an ember bed, even without the use of the flames,
- High flames with realistic ceramic logs in a traditional camp-fire design.
- 5 adjustable burners; with 2 settings for an extra deep and intense effect,
- Adjustable heat output; from maximum 10 to minimum 4 kW.
- Available in various sizes and as a front, 2 and 3-sided version, Room divider or See-through model.

Scan me



**Discover!**

In other words: a modern gas fire in a classic “camp-fire” design to offer a solution for every imaginable situation.



## DECORATION OPTIONS

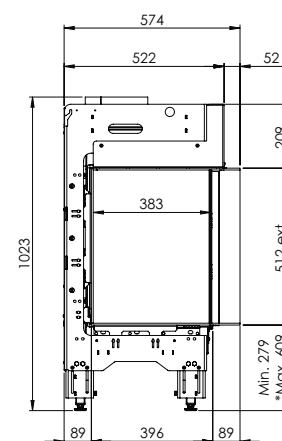
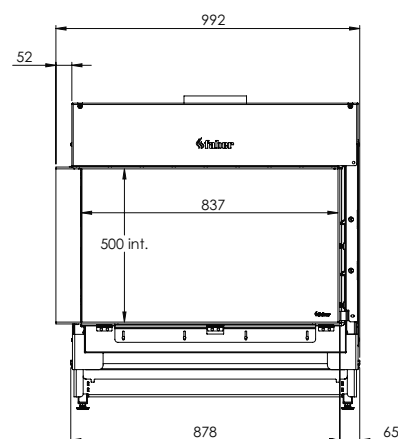
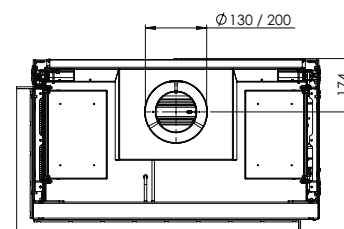


Symbio module

More product information?



Flue material  
130/200



\* Incl. optional adjustable feet

## Specifications

**Exterior dimensions WxHxD in mm**  
992 x 1023 x 574

**Fire display WxHxD in mm**  
837 x 500 x 383

**System**  
Log Burner 2.0

**Decoration**  
Log set

**Back walls**  
Back wall smooth steel

**Remote**  
ITC Remote

**Power**  
8,1 kW

**Operating system**  
Honeywell

**Energy label**  
B

### Options (at a surcharge)

Symbio Module  
Non-reflective glass  
Black glass back wall  
Inset depth 30 mm  
Inset depth 100 mm  
Adjustable feet  
Wall bracket