

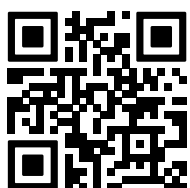
MatriX Hybrid

Our hybrid MatriX ambient fires are electrically supported using LED lighting; comparable with hybrid cars. This low-energy light source has been applied to partially replace the gas flames and to enrich the glowing fire. This unique 'play' between gas and light, known as 'Hybrid Pro Lighting' (HPL) gives rich flames whose intensity and experience beats any standard gas-fired fireplace. What's more, this HPL module can reduce gas consumption, CO2 emissions and heat transfer by more than 50%.

Why opt for the MatriX Hybrid?

- Up to 50% less gas consumption; without sacrificing the natural flame effect,
- The (optional) Hybrid Pro Light module gives even richer flames; even at the lowest setting,
- Horizontal flame effect with equally distributed flames over the entire width of the fire,
- No less than 7 individual burners offer unequalled adjustment possibilities; always the perfect flames for any situation,
- Adjustable heat output from maximum 10 down to a mere 1.5 kW; therefore also ideal for modern, well insulated houses with relatively limited heat requirements,
- Available in various sizes and as a front, 2 and 3-sided version, Room divider or See-through model.

Scan me



Discover!

In other words: A modern and extremely low energy gas fire offering endless possibilities.

HYBRID FIRE

MatriX | 1050/650 II



Specifications

Exterior dimensions WxHxD in mm
1242 x 1173 x 574

Fire display WxHxD in mm
1087 x 650 x 383

System
Log Burner 3.0

Decoration
Log set

Back walls
Back wall smooth steel

Remote
Via app and ITC Remote

Power
10,1 kW

Operating system
Honeywell

Energy label
B

Options (at a surcharge)
HPL Module
Non-reflective glass
Black glass back wall
Inset depth 30 mm
Inset depth 100 mm
Adjustable feet
Wall bracket

DECORATION OPTIONS

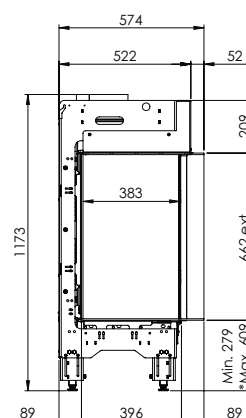
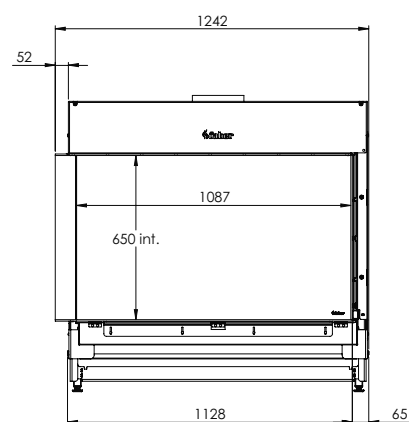
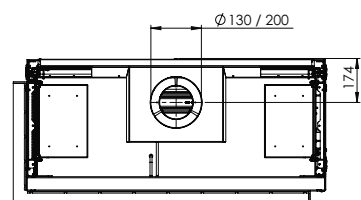


HPL module

More product information?



Flue material
130/200



* Incl. optional adjustable feet

There is **so much to tell...**