

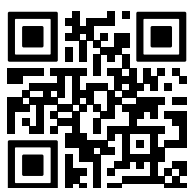
# MatriX Hybrid

Our hybrid MatriX ambient fires are electrically supported using LED lighting; comparable with hybrid cars. This low-energy light source has been applied to partially replace the gas flames and to enrich the glowing fire. This unique 'play' between gas and light, known as 'Hybrid Pro Lighting' (HPL) gives rich flames whose intensity and experience beats any standard gas-fired fireplace. What's more, this HPL module can reduce gas consumption, CO2 emissions and heat transfer by more than 50%.

## Why opt for the MatriX Hybrid?

- Up to 50% less gas consumption; without sacrificing the natural flame effect,
- The (optional) Hybrid Pro Light module gives even richer flames; even at the lowest setting,
- Horizontal flame effect with equally distributed flames over the entire width of the fire,
- No less than 7 individual burners offer unequalled adjustment possibilities; always the perfect flames for any situation,
- Adjustable heat output from maximum 10 down to a mere 1.5 kW; therefore also ideal for modern, well insulated houses with relatively limited heat requirements,
- Available in various sizes and as a front, 2 and 3-sided version, Room divider or See-through model.

Scan me

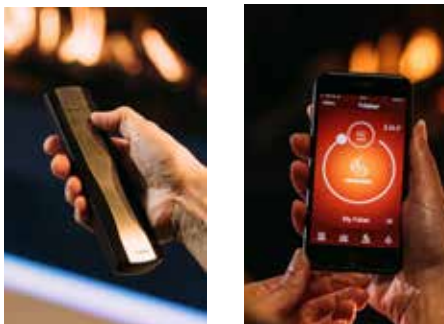


**Discover!**

In other words: A modern and extremely low energy gas fire offering endless possibilities.

HYBRID FIRE

# MatriX | 800/650 I



## DECORATION OPTIONS

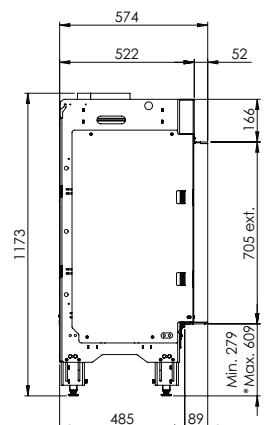
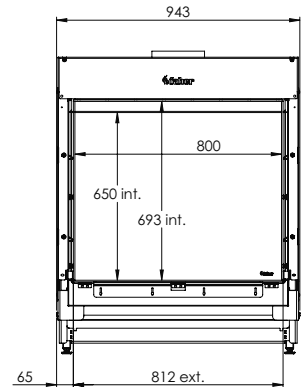
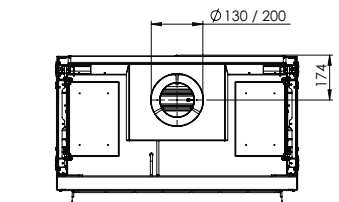


HPL module

More product information?



Flue material  
130/200



\* Incl. optional adjustable feet

## Specifications

**Exterior dimensions WxHxD in mm**  
943 x 1173 x 574

**Fire display WxHxD in mm**  
800 x 650

**System**  
Log Burner 3.0

**Decoration**  
Log set

**Back walls**  
Back wall smooth steel

**Remote**  
Via app and ITC Remote

**Power**  
10,3 kW

**Operating system**  
Honeywell

**Energy label**  
B

**Options (at a surcharge)**  
HPL Module  
Non-reflective glass  
Black glass back wall  
Inset depth 30 mm  
Inset depth 100 mm  
Adjustable feet  
Wall bracket