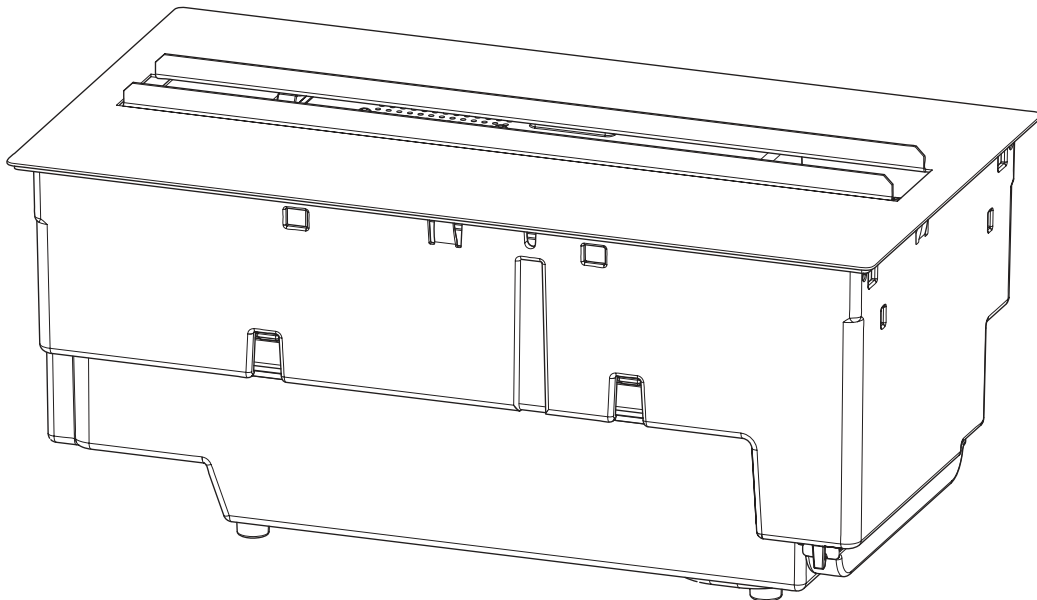


Dimplex[®]



GB FR DE ES IT NL

CAS400L

08/54334/0 Issue 1
OCN -----

GB	1
FR	8
DE	16
ES	24
IT	31
NL	38

Introduction

Thank you for choosing this Dimplex electric fire. Please read this information guide carefully to be able to safely install, use and maintain your product.

Important Safety Advice

When using electrical appliances, basic precautions should always be followed to reduce the risk of fire, electrical shock and injury to persons, including the following:

1. WARNING

Do not place material or garments on, or obstruct the air circulation around the appliance. This appliance carries a DO NOT COVER warning

2. DAMAGE

Do not use this appliance if it has been dropped

If the appliance is damaged, check with the supplier before installation and operation.

If the supply cord is damaged it must be replaced by the manufacturer or service agent or a similarly qualified person in order to avoid a hazard.

3. LOCATION

Do not use outdoors.

Do not use in the immediate surroundings of a bath, shower or swimming pool.

Do not locate the fire immediately below a fixed socket outlet or connection box.

Ensure that furniture, curtains or other combustible material are positioned no closer than 1 metre from the appliance.

Use this appliance on a horizontal and stable surface, or fix it to a wall, if applicable.

4. PLUG POSITIONING

The appliance must be positioned so that the plug or point of isolation is accessible.

Keep the supply cord away from the front of the appliance.

5. UNPLUGGING

In the event of a fault unplug or isolate the device.

Unplug or isolate the device when not required for long periods.

6. OWNER/USER

This appliance can be used by children aged from 8 years and above and persons with reduced physical, sensory or mental capabilities or lack of experience and knowledge if they have been given supervision or instruction concerning use of the appliance in a safe way and understand the hazards involved. Children shall not play with the appliance. Cleaning and user maintenance shall not be made by Children without supervision.

Children of less than 3 years should be kept away unless continuously supervised. Children aged from 3 years and less than 8 years shall only switch on/off the appliance provided that it has been placed or installed in its intended normal operating position and they have been given supervision or instruction concerning use of the appliance in a safe way and understanding the hazards involved. Children aged from 3 years and less than 8 years shall not plug in, regulate and clean the appliance or perform user maintenance.

7. ELECTRICITY

WARNING – THIS APPLIANCE MUST BE EARTHED.

This appliance must be used on an AC ~ supply only and the voltage marked on the appliance must correspond to the supply voltage. Before switching on, please read the safety advice and operating instructions.

CAUTION — Some parts of this product can become very hot and cause burns. Particular attention

has to be given where children and vulnerable people are present.

WARNING - In order to avoid overheating, do not cover the appliance

General Information

Only use filtered water in this appliance.

Always ensure that the appliance is sitting on a level surface.

Please note: Used in an environment where background noise is very low, it may be possible to hear a sound which is related to the operation of the flame effect. This is normal and should not be a cause for concern.

If this product experiences a power surge for whatever reason the product may cut-out. This is a normal safety feature and the product will resume operation after 30 seconds.

Once installed, never move this appliance or lay on its back, without draining the water from sump and water tank.

If you intend not using the appliance for longer than 2 weeks, drain the water from sump and water tank and dry the sump.

The water tank, sump, sump lid, tank cap and air filters must be cleaned once every two weeks, particularly in hard water areas.

The sump and the water tank in this product are treated with a biocidal product, Silver Biocide. This conforms with the latest relevant ISO standard

Installation Instructions

BEFORE YOU START

1. Ensure that all packing items are removed (read any warning labels carefully) and retain all packing for possible future use e.g. in the event of moving house or returning the appliance to your supplier.
2. Before connecting to the mains supply, check that the supply voltage is the same as that stated on the appliance.

INSTALLATION

This appliance has been designed to be housed in separately designed structures – e.g. furniture, fireplace surrounds etc. To incorporate this appliance into another structure, it should be securely fitted, following these guidelines:

ESSENTIAL VENTING

A suitable air vent is essential to ensure that air can circulate into the appliance - otherwise the Opti-myst flame effect will not operate correctly. A cavity of at least 100cm² is required for this air vent. This pathway for air must not be obstructed. For examples of air vents see (Fig 10) The air vent should be free from drafts.

3. Construct an opening for the appliance LxWxH 390x205x170mm (+3-0mm)
4. Ensure that there is sufficient room to thread through the mains cable
5. A cavity of at least 100cm² is required to ensure air can circulate into the appliance. - See ESSENTIAL VENTING.
6. Lower the appliance into the opening.
7. Remove the water sump, to enable access to the screw holes.
8. Screw the appliance into the structure by using suitable screws, not supplied.

Filling the Water Tank

1. Place Water Tank in sink and remove cap (turn anti-clockwise to open)
2. Fill Water Tank with **filtered tap water only**. This is necessary to prolong the life of the flame and smoke effect producing unit. The water should be filtered through a conventional domestic water filter unit and the filter should be replaced regularly. Distilled water must **not** be used.
3. Screw the cap back on – **do not overtighten**.
4. Place the Water Tank in the Sump, with the tank cap facing down and the flat side of the tank facing outward
5. Place the Fuelbed on top of the Water Tank

Connect the power cable to the appropriate power connector at the back of the appliance and Plug the power cable into a 13amp/240volt outlet. The appliance is now ready for use.

Operating the Fire


This section describes how to activate your fire using either the manual controls or remote control.

MANUAL CONTROLS

The manual controls are located beneath the fuelbed
(See Fig.4 for Manual Control lay out)

Switch 'A':- Controls the electricity supply to the Fire.

Note: This switch must be in the 'ON' (I) position for the Fire to operate.

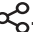
Switch 'B':- Press  to turn on the flame effect. This will be indicated by an audible beep. Although the main lights operate immediately it will take a further 30 seconds before the flame effect starts.

Press  to put fire in to standby mode. This will be indicated by one beep.

REMOTE CONTROL OPERATION

The remote control is packed with 2 AA batteries in a bag. Lift off the battery cover on the back of the remote control and insert the batteries taking note of the polarity.

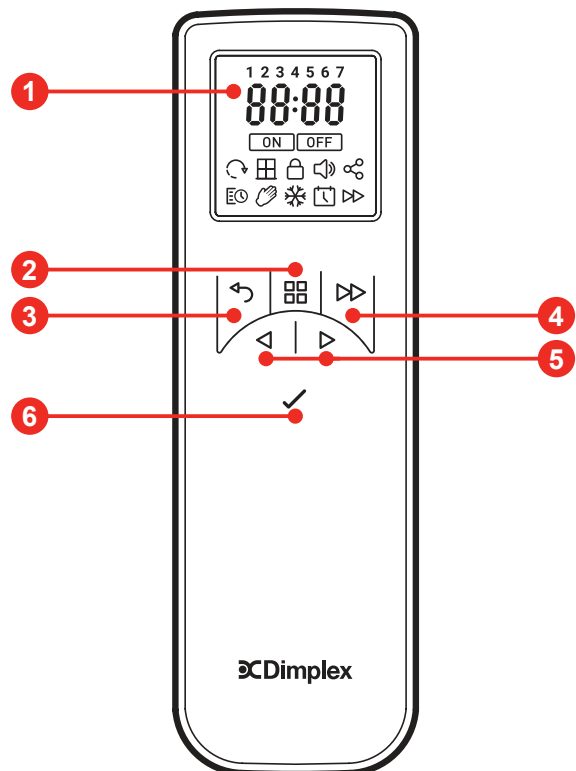
The remote control has already been paired to your product during factory assembly. In the unlikely event that the remote control disconnects from the product, or you obtain a spare remote control, you will need to complete the pairing process:

1. With the product plugged in press switch A to the ON (I) position. You should hear an audible beep
2. Press and hold 'Button 6' until PAIR appears on the display
3. Bring the remote control close to the product where the receiver is . See Fig 4
4. The product will start to beep and blink
5. Press 'Button 6' to complete the pairing process. The product will go into standby mode.

Switching on the appliance

Press and hold the ENTER button for 3 seconds to activate the remote control. FIRE will be displayed and ON will be blinking. Press ENTER to switch on the appliance. To turn off the appliance press MENU so that FIRE is blinking, press ENTER twice.

- 1 Display Screen
- 2 'Menu' Button
- 3 'Back' Button
- 4 'Advance' Button
- 5 'Up and Down' Arrows
- 6 'Enter' Button



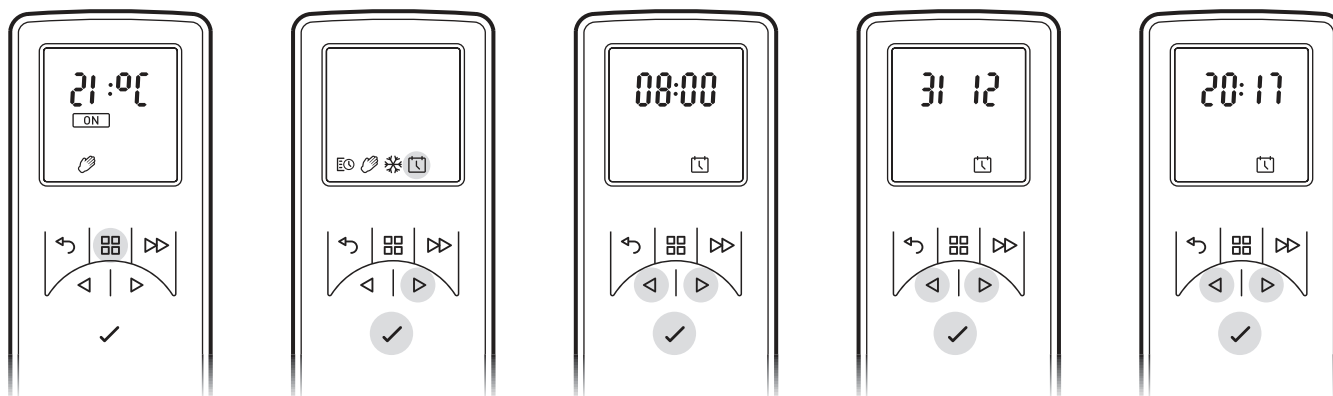
Adjust the Flame Setting

With the remote control activated press once ▷. FIRE will be blinking on the display. Press ENTER. The current flame setting will be displayed F1-F6. Press the ▷ and ◀ buttons to adjust the setting. After you have selected your flame setting press BACK twice to exit the menu and return to the home screen.

Setting the Date and Time

To set the date and time on the heater;

1. Press the Menu button
2. Press ▷ button 4 times
3. Press Enter when the Date & Time icon is blinking
4. Press Enter to set Time
5. Press ◀ and ▷ to set the Hour, press Enter
6. Press ◀ and ▷ to set the Minutes, press Enter to confirm the time
7. Press ◀ and ▷ to set the Day, press Enter
8. Press ◀ and ▷ to set the Month, press Enter
9. Press ◀ and ▷ to set the Year, press Enter to confirm the date



User Timer - To re-programme the factory default Timer Modes:

1. Press Menu Button
2. Press ▷ once to the schedule Icon is blinking. Press Enter
3. Press ▷ Twice then press Enter
Days of the weeks are now displayed at the top of the screen
Day 1 = Monday
Day 2 = Tuesday
Day 3 = Wednesday
Day 4 = Thursday
Day 5 = Friday
Day 6 = Saturday
Day 7 = Sunday
4. Press Enter to Modify Day 1 or Press ▷ to navigate to the desired day and Press Enter to Select
5. P1 will be displayed on screen
6. Press Enter to select P1, to navigate to P2, P3 or P4 press ▷ and press Enter to select
7. ON will be highlighted, press Enter to set the on Time
8. Press ◀ or ▷ to adjust the on Hour time, press Enter to Confirm
9. Press ◀ or ▷ to adjust the on Minute time, press Enter to Confirm
10. Press ◀ or ▷ to adjust the Temperature setting, press Enter to Confirm
11. Press ◀ or ▷ to adjust the off Hour time, press Enter to Confirm
12. Press ◀ or ▷ to adjust the off Minute time, press Enter to Confirm

Press Enter to modify Programme P2, follow steps 5-12, Press ▷ to skip to P3
Press Enter to modify Programme P3, follow steps 5-12, Press ▷ to Skip to P4
Press Enter to modify Programme P4, follow steps 5-12

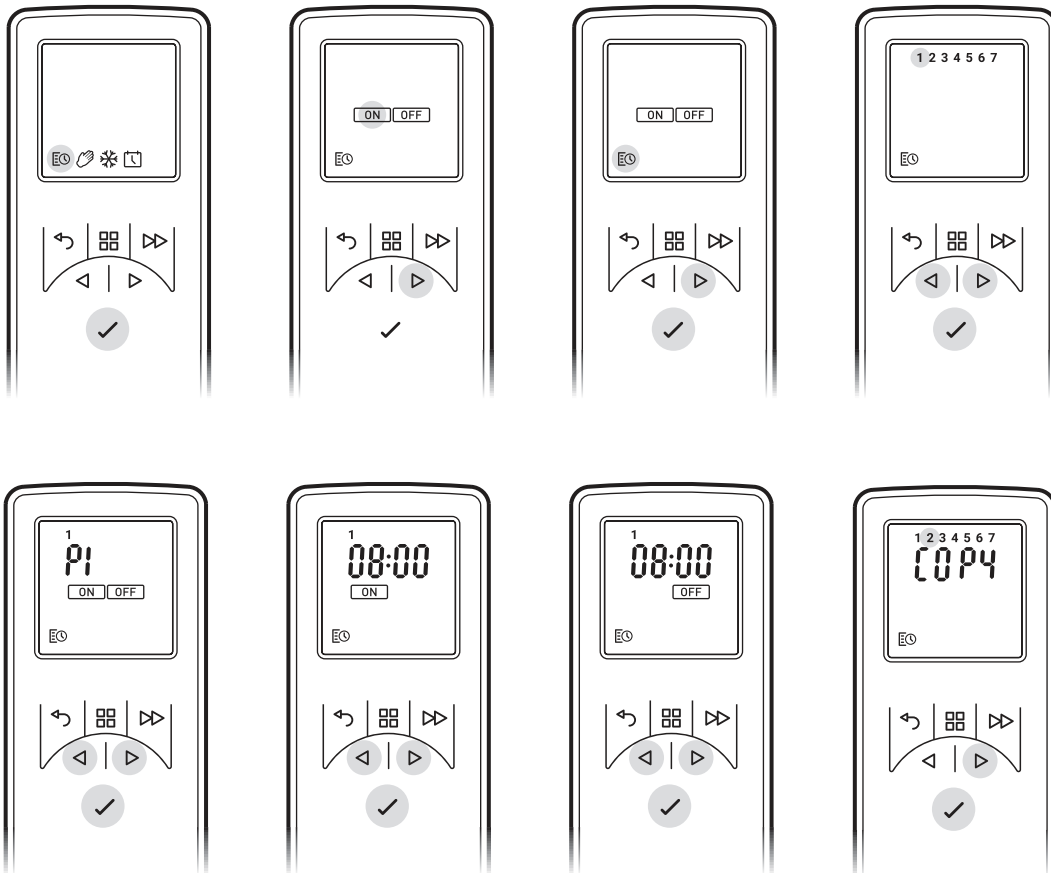
To copy newly programmed P1-P4 heating programmes to other days press the Enter button.

Copy will be displayed on screen

To copy to the next day in sequence, press ▷ button. To deselect the next day in sequence press Enter button.

The days of the week that are selected will be displayed at the top of the screen. The days that have been deselected will not be visible (see Diagrams).

Press Enter to confirm, backlight will flash and return to home screen.



Getting the Desired Flame Effect

1. Using the remote control press MENU, FIRE on the display will be flashing, press ENTER. The current setting will be displayed. Press ^ or v to toggle between F1 and F6. F1 being the lowest setting and F6 being the highest setting.
2. Generally the flames appear more realistic when the flame control is turned down.
3. Give the flame generator time to react to changes you may make.
4. The fire will use less water if the flame effect is set to a lower level.
5. Do not tilt or move the fire while there is water in the tank or sump.
6. Make sure that the fire is on a level floor.

Customising the display

The maximum temperature set point on the product is 30°C You have the option to reduce this set point. You can also change °C to °F

1. Press the Menu button.
2. Press the ADV button twice - SP will be blinking.
3. Press Enter to confirm.
4. Press v or ^ to choose between °C and °F.
5. Press Enter to confirm.
6. Press v or ^ to choose your maximum temperature set point.
7. Press Enter to confirm.
8. Press BACK three times to return to the home screen.

Maintenance

GENERAL TIPS

Only use filtered tap water in this appliance.

Always ensure that the appliance is sitting on a level surface.

If you intend not using the appliance for longer than 2 weeks, remove and empty the sump and water tank.

Once installed, never move this appliance or lay on its back, without draining the water from sump and water tank.

FILLING THE WATER TANK

When the water tank is empty, the flame and smoke effect shuts off and you will hear 2 audible beeps, follow these steps.

1. Press Switch 'A' to **(0)** (See Fig.4)
2. Gently lift out the fuelbed and carefully set aside.
3. Remove the water tank by lifting upwards and outwards.
4. Place the water tank in sink and remove cap, Anti-clockwise to open.
5. Fill tank with **filtered tap water only**. This is necessary to prolong the life of the flame and smoke producing unit. The water should be filtered through a conventional domestic water filter unit and the filter should be replaced regularly.
6. Screw the cap back on, do not over tighten.
7. Return the tank to the sump, with the tank cap facing down
8. Gently place the fuelbed back into position.
9. Press Switch 'A' to 'ON' **(I)** position (See Fig.4)

CLEANING

Warning – Always press Switch 'A' to the 'OFF' **(0)** position (See Fig.4) and disconnect from the power supply before cleaning the fire.

We recommend cleaning the following components once every 2 weeks, particularly in hard water areas:-

Water Tank, Sump, Nozzle, Tank cap and seal, Air filter.

For general cleaning use a soft clean duster – never use abrasive cleaners.

To remove any accumulation of dust or fluff, the soft brush attachment of a vacuum cleaner should occasionally be used.

Water tank

1. Remove water tank, as described earlier, put into sink and empty water.
2. Using the supplied brush gently rub the inside surfaces of the cap paying particular attention to the rubber ring in the outer groove and the centre rubber seal.
3. Put a small quantity of washing up liquid into the tank, refit the cap and shake well, rinse out until all traces of washing up liquid are gone.
4. Refill with filtered tap water only, replace the cap, do not overtighten.

Sump

1. Gently lift out the fuelbed and place carefully on the ground.
2. Press Switch 'A' to the 'OFF' **(0)** position
3. Remove the water tank by lifting upwards.
4. Disconnect the electrical connector, located on the back of the product under the rating label. (See Fig.5) .
5. Pinch open the red clips.
6. Gently lift up the orange nozzle and set aside.
7. Lift out the sump being careful not to spill any water left inside it.
8. The transducer is secured in the sump by a small clip. Pull back the clip to allow the transducer to be removed from the sump. Carefully tilt, so that the liquid drains out of the sump.
9. Put a small amount of washing up liquid into the sump, and using the supplied brush, gently clean all surfaces in the sump and gently clean the transducer including the metal discs located in the top grooved surface. (See Fig.7)
10. When cleaned, thoroughly rinse the sump with clean water to remove all traces of washing up liquid.
11. Clean the Nozzle with the brush and flush out thoroughly with water. (See Fig.8)
12. Reverse the above steps to reassemble.

Air filter

1. Gently lift out the fuelbed and place carefully on the ground.
2. Gently slide the air filter upwards out of its plastic holder. (See Fig.9)
3. Gently rinse with water in the sink and dry with fabric towel before returning.
4. Replace the filter making sure that the coarse black filter is facing the front of the fire.
5. Replace the fuelbed.

Additional Information

AFTER SALES SERVICE

Your product is guaranteed for two years from the date of purchase. Within this period, we undertake to repair or exchange this product free of charge (excluding lamps & subject to availability) provided it has been installed and operated in accordance with these instructions. Your rights under this guarantee are additional to your statutory rights, which in turn are not affected by this guarantee.

RECYCLING



For electrical products sold within the European Community - At the end of the electrical products useful life it not be disposed of with household waste. Please recycle where facilities exist. Check with your Local Authority or retailer for recycling advice in your country.

PATENT / PATENT APPLICATION

Products within the Optimyst range are protected by one or more of the following patents and patent applications:
Great Britain GB 2402206, GB 2460259, GB 2460453 , GB 2418014, GB 2465738, GB 2449925, GB 2465537 , GB 2455277 , GB1020534.2, GB1020537.5, GB1110987.3

United States US 7967690, US 2010299980, US 2011062250, US 2008028648, US 13/167,042

Russia RU2008140317

European EP 2029941, EP 2201301, EP 2315976, EP 1787063, EP07723217.1 , EP11170434.2, EP 11170435.9

China CN 101883953, CN 200980128666.2, CN 101057105, CN 101438104

Australia AU 2009248743, AU 2007224634

Canada CA 2725214, CA 2579444, CA 2645939

International Patent Application WO 2006027272

South Africa ZA 200808702

Mexico MX 2008011712

Korea KR 20080113235

Japan JP 2009529649

Brazil BR P10708894-9

India IN 4122/KOLNP/2008

New Zealand NZ 571900

Troubleshooting		
Symptom	Cause	Corrective Action
The flame effect will not start.	Mains plug is not plugged in. Low water level. Low voltage connector not connected properly. (See Fig.5) The Transducer Unit is not sitting correctly in the sump	Check plug is connected to wall socket correctly. Check that the water tank is full and there is water in the sump. Check that the connector is inserted correctly. (See Fig.5) Ensure the Transducer in sitting down into the moulded recess in the sump
The flame effect is too low.	The Metal Disc in the transducer might be dirty (See Fig.7) The wire from the Transducer Unit is sitting over the metal disc The air filter may need cleaning The air filter may be positioned incorrectly	Clean the Metal Disc with soft brush supplied. (See Fig.7) See 'Maintenance.' for a step by step procedure. Direct the wire to the back of the sump and make sure it sits into the side slot exiting the sump. Remove air filter and clean it. Reposition air filter
Unpleasant smell when unit is used.	Dirty or stale water. Using unfiltered tap water.	Clean the unit as described under maintenance. Use only filtered tap water.
Main lamps are not working and there are no flames or smoke.	There is no water in the water tank	Follow instructions under Maintenance , 'Filling the water tank'. Check the plug is connected to the wall socket correctly and that Switch 'A' Fig. 4 is in the 'ON' (I) position.

Introduction

Merci d'avoir choisi ce foyer électrique Dimplex. Veuillez lire attentivement ce guide d'information afin de pouvoir installer, utiliser et entretenir votre produit en toute sécurité.

Conseils de sécurité importants

Lorsque vous utilisez des appareils électriques, des précautions de base doivent toujours être prises afin de réduire les risques d'incendie, d'électrocution et de dommages corporels, notamment les suivantes :

1. AVERTISSEMENT

Ne mettez pas de matériau ni de vêtements sur l'appareil et ne bloquez pas la circulation de l'air autour de l'appareil. Un avertissement NE PAS COUVRIR figure sur cet appareil.

2. DOMMAGES

N'utilisez pas cet appareil s'il est tombé.

Si l'appareil est endommagé, consultez le fournisseur avant de l'installer et de l'utiliser.

Si le cordon d'alimentation est endommagé, il doit être remplacé par le fabricant ou le service après-vente ou une personne avec des qualifications similaires afin d'éviter tout danger.

3. EMPLACEMENT

Ne l'utilisez pas à l'extérieur.

Ne l'utilisez pas à proximité d'une baignoire, d'une douche ou d'une piscine.

Ne placez pas le foyer juste au-dessous d'une prise de courant fixe ou d'une boîte de raccordement.

Assurez-vous que les meubles, les rideaux ou tout autre matériau inflammable se trouvent à une distance d'au moins 1 m de l'appareil.

Utilisez cet appareil sur une surface horizontale et stable ou attachez-le à un mur, le cas échéant.

4. POSITIONNEMENT DE LA PRISE

L'appareil doit être positionné de telle manière que la prise ou le point d'isolement soit accessible. Conservez le cordon d'alimentation à l'écart du devant de l'appareil.

5. DÉBRANCHEMENT

En cas de panne, débranchez ou isolez l'appareil.

Débranchez ou isolez l'appareil lorsque vous n'en avez pas besoin pendant de longues périodes.

6. PROPRIÉTAIRE/UTILISATEUR

Cet appareil peut être utilisé par des enfants âgés de 8 ans ou plus et des personnes avec des capacités physiques, sensorielles ou mentales réduites, ou manquant d'expérience et de connaissances, si ceux-ci disposent d'une supervision ou d'instructions quant à l'utilisation en toute sécurité de l'appareil et comprennent les risques en cause. Les enfants ne doivent pas jouer avec l'appareil. Le nettoyage et l'entretien par l'utilisateur ne doivent pas être effectués par des enfants sans supervision.

Les enfants de moins de 3 ans doivent être tenus à l'écart à moins d'être continuellement surveillés. Les enfants âgés de 3 à 8 ans ne peuvent allumer/éteindre l'appareil que si celui-ci a été placé ou installé dans la position normale de fonctionnement prévue et s'ils disposent d'une supervision ou d'instructions quant à l'utilisation en toute sécurité de l'appareil et comprennent les risques en cause. Les enfants âgés de 3 à 8 ans ne doivent pas brancher, régler et nettoyer l'appareil, ni effectuer son entretien.

7. ÉLECTRICITÉ

AVERTISSEMENT : CET APPAREIL DOIT ÊTRE MIS À LA TERRE.

Cet appareil ne doit être utilisé qu'avec une alimentation CA ~ et la tension indiquée sur l'appareil doit correspondre à la tension d'alimentation. Avant de l'allumer, veuillez lire les conseils de sécurité et les instructions d'utilisation.

ATTENTION : Certains éléments de ce produit peuvent devenir très chauds et provoquer des

brûlures. Faites particulièrement attention lorsque des enfants et des personnes vulnérables sont présents.

AVERTISSEMENT : Afin d'éviter toute surchauffe, ne couvrez pas l'appareil.

Informations générales

N'utilisez que de l'eau filtrée dans cet appareil.

Veillez toujours à ce que l'appareil repose sur une surface plane.

Veillez noter : Lorsqu'il est utilisé dans un environnement où le bruit de fond est très faible, il est possible d'entendre un bruit qui est lié au fonctionnement de l'effet flammes. C'est normal et ne doit pas constituer une source d'inquiétude. Si ce produit fait l'objet d'une surtension pour une raison quelconque, il peut s'arrêter. C'est un dispositif de sécurité normal et le produit recommencera à fonctionner après 30 secondes.

Une fois installé, ne déplacez jamais cet appareil et ne le posez jamais sur le dos sans avoir vidé l'eau du bac et du réservoir d'eau.

Si vous n'avez pas l'intention d'utiliser l'appareil pendant plus de 2 semaines, videz l'eau du bac et du réservoir d'eau, et séchez le bac.

Le réservoir d'eau, le bac, le couvercle du bac, le couvercle du réservoir et les filtres à air doivent être nettoyés une fois toutes les deux semaines, notamment dans les régions où l'eau est dure.

Le bac et le réservoir d'eau dans ce produit sont traités avec un produit biocide, le biocide d'argent. Cela est conforme à la dernière norme ISO applicable.

Instructions d'installation

AVANT DE COMMENCER

1. Veillez à ce que tous les emballages aient été retirés (lisez attentivement toutes les étiquettes d'avertissement) et conservez tous les emballages pour une éventuelle utilisation ultérieure, par ex. si vous déménagez ou si vous renvoyez l'appareil à votre fournisseur.
2. Avant de le connecter à l'alimentation secteur, vérifiez que la tension d'alimentation est la même que celle indiquée sur l'appareil.

INSTALLATION

Cet appareil a été conçu pour être installé dans des structures conçues séparément, par ex. des meubles, des manteaux de cheminée, etc.

Pour incorporer cet appareil à une autre structure, il doit être solidement monté en suivant ces lignes directrices :

AÉRATION ESSENTIELLE

Un événement d'aération approprié est essentiel pour s'assurer que l'air peut circuler dans l'appareil, autrement l'effet flammes Opti-myst ne fonctionnera pas correctement. Une cavité d'au moins 100 cm² est nécessaire pour cet événement d'aération. Ce passage d'air ne doit pas être bloqué. Pour des exemples d'événements d'aération, voir la figure 10. L'événement d'aération doit être exempt de courant d'air.

3. Construisez une ouverture pour l'appareil LxWxH 390x205x170mm (+3-0mm).
4. Assurez-vous qu'il y a assez de place pour faire passer le câble d'alimentation.
5. Une cavité d'au moins 100 cm² est nécessaire pour s'assurer que l'air peut circuler dans l'appareil. Voir AÉRATION ESSENTIELLE.
6. Mettez l'appareil dans l'ouverture.
7. Retirez le bac d'eau afin de pouvoir accéder aux trous de vis.
8. Vissez l'appareil dans la structure à l'aide de vis appropriées non fournies.

Remplissage du réservoir d'eau

1. Mettez le réservoir d'eau dans un évier et retirez le bouchon (tournez-le dans le sens inverse des aiguilles d'une montre pour l'ouvrir).
2. Remplissez le réservoir d'eau uniquement avec de l'eau du robinet filtrée. Cela est nécessaire pour prolonger la durée de vie de l'unité produisant l'effet flammes et fumée. L'eau doit être filtrée à travers une unité de filtrage d'eau domestique conventionnelle et le filtre doit être remplacé régulièrement. N'utilisez pas d'eau distillée.
3. Revissez le bouchon ; ne serrez pas trop.
4. Mettez le réservoir d'eau dans le bac avec le bouchon du réservoir vers le bas et le côté plat du réservoir tourné vers l'extérieur.
5. Mettez la couche de combustible sur le réservoir d'eau

Raccordez le câble d'alimentation au connecteur d'alimentation approprié à l'arrière de l'appareil et branchez le câble d'alimentation dans une prise de 13 A/240 V. L'appareil est maintenant prêt à l'emploi.

Fonctionnement du foyer

Cette section décrit comment activer votre foyer à l'aide des commandes manuelles ou de la télécommande.

COMMANDES MANUELLES

Les commandes manuelles se trouvent sous la couche de combustible.
(Voir la figure 4 pour la disposition des commandes manuelles.)

Interrupteur « A » : contrôle l'alimentation électrique au foyer.

Remarque : Cet interrupteur doit être en position « ON » (I) pour que le foyer fonctionne.

Interrupteur « B » : appuyez sur « 🔥 » pour allumer l'effet flammes. Un bip sonore retentira. Bien que les lumières principales fonctionnent immédiatement, il faudra encore 30 secondes avant que l'effet flammes ne commence.
Appuyez sur « ⏻ » pour mettre le foyer en mode veille. Un bip retentira.

FONCTIONNEMENT DE LA TÉLÉCOMMANDE

La télécommande est emballée avec 2 piles AA dans un sac. Retirez en soulevant le couvercle du compartiment à piles à l'arrière de la télécommande et insérez les piles en faisant attention à la polarité.

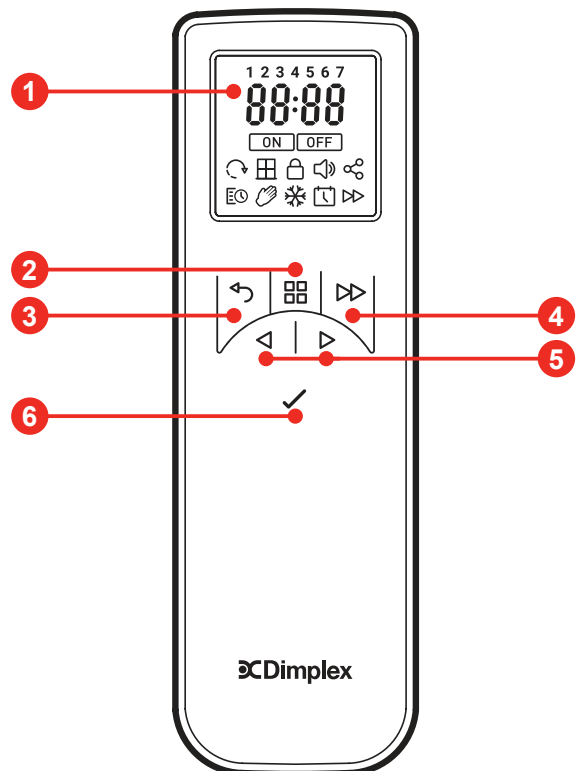
La télécommande a déjà été appareillée au produit pendant l'assemblage en usine. Dans le cas peu probable où la télécommande se déconnecte du produit ou si vous obtenez une télécommande de rechange, vous devrez effectuer le processus d'appariement :

1. Lorsque le produit est branché, appuyez et mettez l'interrupteur A à la position ON (I). Vous devriez entendre un bip sonore.
2. Appuyez et maintenez le « bouton 6 » enfoncé jusqu'à ce que PAIR (APPARIEMENT) apparaisse sur l'affichage.
3. Approchez la télécommande du produit où le récepteur se trouve « 📶 ». Voir la figure 4.
4. Le produit commencera à émettre des bips et clignotera.
5. Appuyez sur le « bouton 6 » pour terminer le processus d'appariement. Le produit passera au mode veille.

Mise en marche de l'appareil

Appuyez et maintenez le bouton ENTRÉE enfoncé pendant 3 secondes pour activer la télécommande. FIRE s'affichera et ON clignotera. Appuyez sur ENTRÉE pour allumer l'appareil. Pour éteindre l'appareil, appuyez sur MENU de sorte que FIRE clignote, appuyez deux fois sur ENTRÉE.

- 1 Écran d'affichage
- 2 Bouton « menu »
- 3 Bouton « retour »
- 4 Bouton « avance »
- 5 Flèches « haut et bas »
- 6 Bouton « entrée »



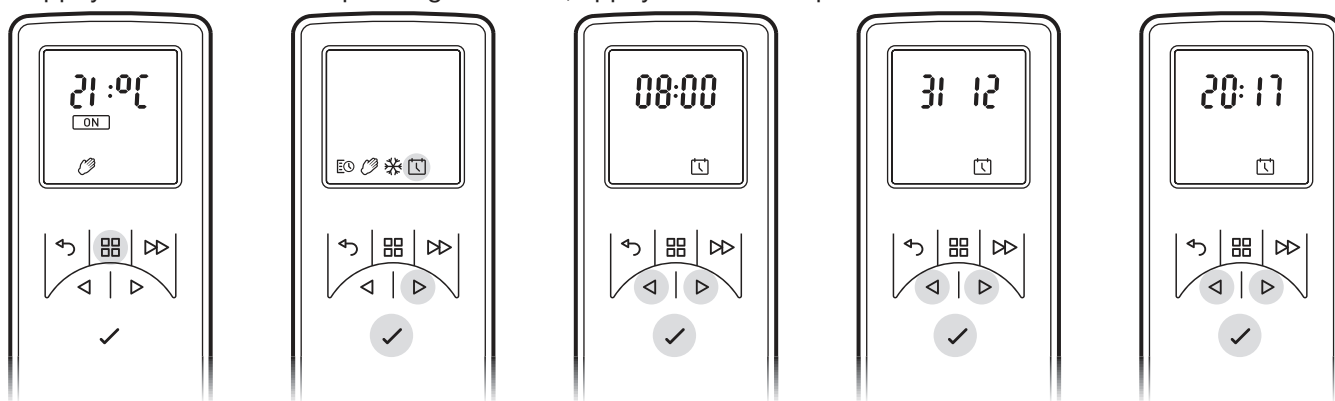
Ajustement du réglage des flammes

Lorsque la télécommande est activée, appuyez une fois sur « ▷ ». FIRE clignotera sur l'affichage. Appuyez sur ENTRÉE. Le réglage des flammes actuel sera affiché F1 à F6. Appuyez sur les boutons « ▷ » et « ◁ » pour ajuster le réglage. Une fois que vous avez sélectionné votre réglage de flammes, appuyez deux fois sur RETOUR pour sortir du menu et retourner à l'écran d'accueil.

Réglage de la date et l'heure

Pour régler la date et l'heure sur le radiateur :

1. Appuyez sur le bouton menu
2. Appuyez 4 fois sur « ▷ »
3. Appuyez sur entrée lorsque l'icône de la date et l'heure clignote
4. Appuyez sur entrée pour régler l'heure
5. Appuyez sur « ◁ » et « ▷ » pour régler les heures, appuyez sur entrée
6. Appuyez sur « ◁ » et « ▷ » pour régler les minutes, appuyez sur entrée pour confirmer l'heure
7. Appuyez sur « ◁ » et « ▷ » pour régler le jour, appuyez sur entrée
8. Appuyez sur « ◁ » et « ▷ » pour régler le mois, appuyez sur entrée
9. Appuyez sur « ◁ » et « ▷ » pour régler l'année, appuyez sur entrée pour confirmer la date



Minuterie d'utilisation - pour reprogrammer les modes d'usine par défaut de la minuterie :

1. Appuyez sur le bouton menu
2. Appuyez une fois sur « ▷ », l'icône de programmation clignotera. Appuyez sur entrée
3. Appuyez deux fois sur « ▷ », puis appuyez sur entrée
Les jours de la semaine sont maintenant affichés en haut de l'écran
Day 1 = lundi
Day 2 = mardi
Day 3 = mercredi
Day 4 = jeudi
Day 5 = vendredi
Day 6 = samedi
Day 7 = dimanche
4. Appuyez sur entrée pour modifier le jour 1 ou appuyez sur « ▷ » pour aller au jour souhaité et appuyez sur entrée pour le sélectionner
5. P1 sera affiché sur l'écran
6. Appuyez sur entrée pour sélectionner P1, pour aller à P2, P3 ou P4 appuyez sur « ▷ » et appuyez sur entrée pour le sélectionner
7. ON sera en surbrillance, appuyez sur entrée pour régler la période de marche
8. Appuyez sur « ◁ » ou « ▷ » pour régler les heures de la période de marche, appuyez sur entrée pour confirmer
9. Appuyez sur « ◁ » ou « ▷ » pour régler les minutes de la période de marche, appuyez sur entrée pour confirmer
10. Appuyez sur « ◁ » ou « ▷ » pour ajuster le réglage de la température, appuyez sur entrée pour confirmer
11. Appuyez sur « ◁ » ou « ▷ » pour régler les heures de la période d'arrêt, appuyez sur entrée pour confirmer
12. Appuyez sur « ◁ » ou « ▷ » pour régler les minutes de la période d'arrêt, appuyez sur entrée pour confirmer

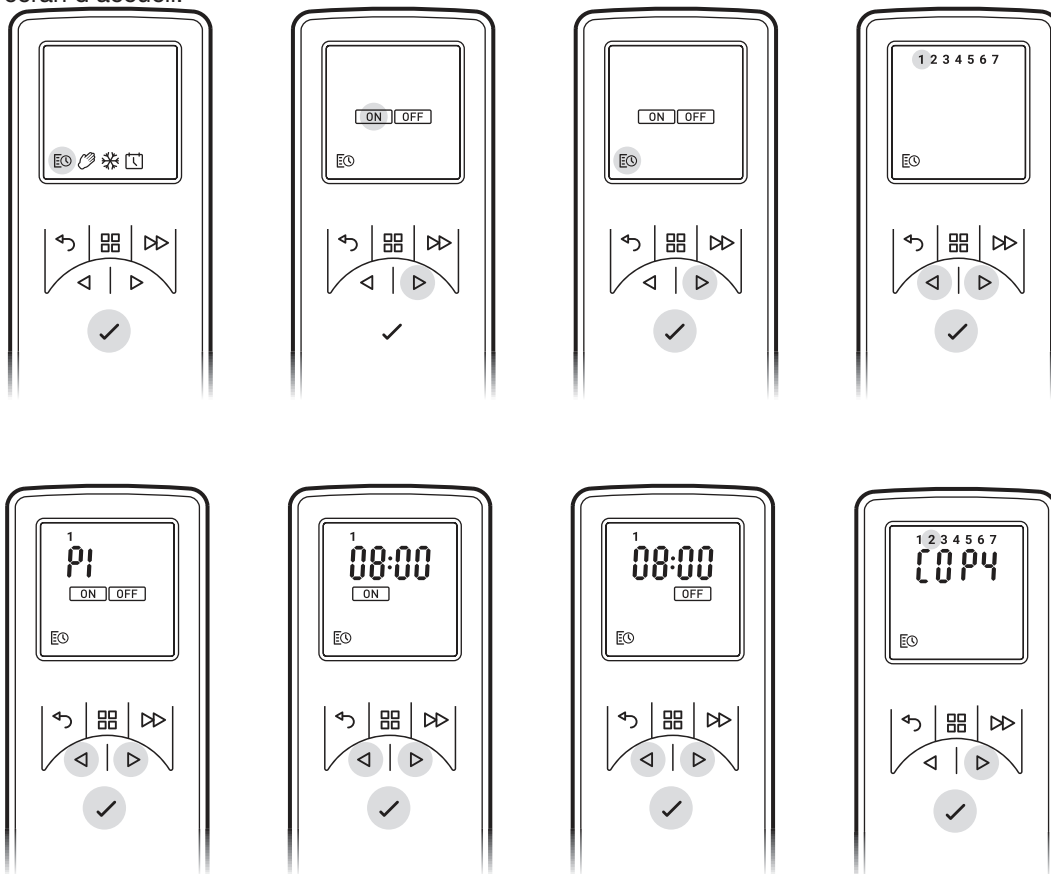
Appuyez sur entrée pour modifier le programme P2, suivez les étapes 5 à 12, appuyez sur « ▷ » pour passer à P3
Appuyez sur entrée pour modifier le programme P3, suivez les étapes 5 à 12, appuyez sur « ▷ » pour passer à P4
Appuyez sur entrée pour modifier le programme P4, suivez les étapes 5 à 12

Pour copier les programmes de chauffage P1 à P4 nouvellement programmés sur d'autres jours, appuyez sur le bouton entrée.

Copy s'affichera sur l'écran.

Pour copier sur le jour suivant dans l'ordre, appuyez sur le bouton « ▷ ». Pour désélectionner le jour suivant dans l'ordre, appuyez sur le bouton entrée.

Les jours de la semaine qui sont sélectionnés seront affichés en haut de l'écran. Les jours qui ont été désélectionnés ne seront pas visibles (voir les diagrammes). Appuyez sur entrée pour confirmer, le rétroéclairage clignotera et vous retournerez à l'écran d'accueil.



Obtenir l'effet flammes désiré

1. À l'aide de la télécommande, appuyez sur MENU, FIRE clignotera sur l'affichage, appuyez sur ENTRÉE. Le réglage actuel sera affiché. Appuyez sur « ^ » ou « v » pour passer de F1 à F6, F1 étant le réglage le plus faible et F6 le plus élevé.
2. Généralement, les flammes semblent plus réalistes lorsque la commande des flammes est baissée.
3. Laissez du temps au générateur de flammes pour réagir aux changements que vous effectuez.
4. Le foyer utilisera moins d'eau si l'effet flammes est réglé à un niveau plus faible.
5. N'inclinez pas ni ne déplacez le foyer lorsqu'il y a de l'eau dans le réservoir ou le bac.
6. Assurez-vous que le foyer se trouve sur un plancher droit.

Personnalisation de l'affichage

Le point de consigne de température maximale sur le produit est de 30 °C. Vous avez la possibilité de réduire ce point de consigne. Vous pouvez également passer de °C à °F.

1. Appuyez sur le bouton menu.
2. Appuyez deux fois sur le bouton AVANCE ; SP clignotera.
3. Appuyez sur entrée pour confirmer.
4. Appuyez sur « v » ou « ^ » pour choisir entre °C et °F.
5. Appuyez sur entrée pour confirmer.
6. Appuyez sur « v » ou « ^ » pour choisir votre point de consigne de température maximale.
7. Appuyez sur entrée pour confirmer.
8. Appuyez trois fois sur RETOUR pour retourner à l'écran d'accueil.

CONSEILS GÉNÉRAUX

N'utilisez que de l'eau du robinet filtrée dans cet appareil.

Veillez toujours à ce que l'appareil repose sur une surface plane.

Si vous n'avez pas l'intention d'utiliser l'appareil pendant plus de 2 semaines, retirez et videz le bac et le réservoir d'eau.

Une fois installé, ne déplacez jamais cet appareil et ne le posez jamais sur le dos sans avoir vidé l'eau du bac et du réservoir d'eau.

REPLISSAGE DU RÉSERVOIR D'EAU

Lorsque le réservoir d'eau est vide, l'effet flammes et fumée s'éteint et vous entendrez 2 bips sonores, suivez ces étapes.

1. Appuyez et mettez l'interrupteur « A » à la position (0) (voir la figure 4).
2. Sortez la couche de combustible en la soulevant délicatement et mettez-la soigneusement de côté.
3. Retirez le réservoir d'eau en le soulevant vers le haut et vers l'extérieur.
4. Mettez le réservoir d'eau dans un évier et retirez le bouchon dans le sens inverse des aiguilles d'une montre pour l'ouvrir.
5. Remplissez le réservoir d'eau uniquement avec de l'eau du robinet filtrée. Cela est nécessaire pour prolonger la durée de vie de l'unité produisant l'effet flammes et fumée. L'eau doit être filtrée à travers une unité de filtrage d'eau domestique conventionnelle et le filtre doit être remplacé régulièrement.
6. Revissez le bouchon, ne serrez pas trop.
7. Remettez le réservoir dans le bac avec le bouchon du réservoir vers le bas.
8. Remettez délicatement la couche de combustible en place.
9. Appuyez et mettez l'interrupteur « A » à la position « ON » (I) (voir la figure 4).

NETTOYAGE

Avvertissement : Appuyez et mettez toujours l'interrupteur « A » à la position « OFF » (0) (voir la figure 4) et déconnectez l'alimentation secteur avant de nettoyer le foyer.

Nous vous recommandons de nettoyer les composants suivants une fois toutes les 2 semaines, notamment dans les régions où l'eau est dure :

le réservoir d'eau, le bac, la buse, le bouchon et le joint d'étanchéité du réservoir, le filtre à air.

Pour le nettoyage général, utilisez un chiffon propre et doux ; n'utilisez jamais de nettoyeurs abrasifs.

Pour retirer toute accumulation de poussière ou de peluche, utilisez de temps en temps l'accessoire brosse douce d'un aspirateur.

Réservoir d'eau

1. Retirez le réservoir d'eau comme décrit auparavant, mettez-le dans un évier et videz l'eau.
2. À l'aide de la brosse fournie, frottez doucement les surfaces intérieures du bouchon en accordant une attention particulière à l'anneau en caoutchouc dans la rainure extérieure et le joint en caoutchouc au centre.
3. Mettez une petite quantité de liquide vaisselle dans le réservoir, remettez le bouchon et secouez bien, rincez jusqu'à ce que toute trace de liquide vaisselle ait disparu.
4. Remplissez-le uniquement avec de l'eau du robinet filtrée, remettez le bouchon, ne serrez pas trop.

Bac

1. Sortez la couche de combustible en la soulevant délicatement et posez-la soigneusement sur le sol.
2. Appuyez et mettez l'interrupteur « A » à la position « OFF » (0).
3. Retirez le réservoir d'eau en le soulevant vers le haut.
4. Déconnectez le connecteur électrique situé à l'arrière du produit sous la plaque signalétique (voir la figure 5).
5. Ouvrez en pinçant les attaches rouges.
6. Soulevez délicatement la buse orange et mettez-la de côté.
7. Sortez le bac en le soulevant et en faisant attention à ne pas renverser l'eau qui reste à l'intérieur.
8. Le transducteur est attaché au bac avec une petite attache. Tirez l'attache vers l'arrière pour pouvoir retirer le transducteur du bac. Inclinez-le avec précaution, de façon à vider le liquide du bac.
9. Mettez une petite quantité de liquide vaisselle dans le bac et, à l'aide de la brosse fournie, nettoyez doucement toutes les surfaces dans le bac ainsi que le transducteur, y compris les disques en métal situés sur la surface rainurée supérieure (voir la figure 7).
10. Lorsqu'il est nettoyé, rincez soigneusement le bac avec de l'eau propre pour retirer toute trace de liquide vaisselle.
11. Nettoyez la buse avec la brosse et rincez-la soigneusement avec de l'eau (voir la figure 8).
12. Suivez les étapes ci-dessus à l'envers pour le réassemblage.

Filtre à air

1. Sortez la couche de combustible en la soulevant délicatement et posez-la soigneusement sur le sol.
2. Faites glisser doucement le filtre à air vers le haut en dehors de son support en plastique (voir la figure 9).
3. Rincez-le délicatement avec de l'eau dans l'évier et séchez-le avec une serviette en tissu avant de le remettre.
4. Remettez le filtre en vous assurant que le filtre grossier noir est orienté vers l'avant du foyer.
5. Remettez la couche de combustible.

Informations supplémentaires

SERVICE APRÈS-VENTE

Votre produit est garanti pendant deux ans à compter de la date d'achat. Pendant cette période, nous nous engageons à réparer ou échanger ce produit gratuitement (sauf les lampes et sous réserve de disponibilité) pourvu qu'il ait été installé et utilisé conformément à ces instructions. Vos droits en vertu de cette garantie viennent s'ajouter à vos droits statutaires qui ne sont pas affectés par cette garantie.

RECYCLAGE



Pour les produits électriques vendus au sein de la Communauté européenne. À la fin de la durée de vie utile des produits électriques, ceux-ci ne doivent pas être jetés avec les déchets ménagers. Veuillez les recycler dans les centres existants. Consultez les autorités locales ou le revendeur pour obtenir des conseils sur le recyclage dans votre pays.

BREVET / DEMANDE DE BREVET

Les produits de la gamme Optimyst sont protégés par un ou plusieurs des brevets ou demandes de brevet suivants :

Grande Bretagne GB 2402206, GB 2460259, GB 2460453 , GB 2418014, GB 2465738, GB 2449925, GB 2465537 , GB 2455277 , GB1020534.2, GB1020537.5, GB1110987.3

États-Unis US 7967690, US 2010299980, US 2011062250, US 2008028648, US 13/167,042

Russie RU2008140317

Europe EP 2029941, EP 2201301, EP 2315976, EP 1787063, EP07723217.1 , EP11170434.2, EP 11170435.9

Chine CN 101883953, CN 200980128666.2, CN 101057105, CN 101438104

Australie AU 2009248743, AU 2007224634

Canada CA 2725214, CA 2579444, CA 2645939

Demande internationale de brevet WO 2006027272

Afrique du Sud ZA 200808702

Mexique MX 2008011712

Corée KR 20080113235

Japon JP 2009529649

Brésil BR P10708894-9

Inde IN 4122/KOLNP/2008

Nouvelle Zélande NZ 571900

Dépannage

Problème	Cause	Action corrective
L'effet flamme ne démarre pas.	<p>Le câble d'alimentation n'est pas branché sur une prise secteur.</p> <p>Niveau d'eau faible.</p> <p>Le connecteur basse tension n'est pas branché correctement (Fig. 5).</p> <p>Le transducteur ne repose pas convenablement dans le bac.</p>	<p>Assurez-vous que le connecteur basse tension est correctement branché.</p> <p>Vérifiez que le réservoir d'eau est plein et qu'il y a de l'eau dans le bac.</p> <p>Vérifiez que le connecteur est inséré correctement (Fig. 5).</p> <p>Assurez-vous que le transducteur repose dans l'alvéole du bac.</p>
L'effet flamme est trop faible.	<p>Le disque métallique du transducteur est peut-être sale (Fig. 7).</p> <p>Le câble du transducteur passe sur le disque métallique.</p>	<p>Nettoyez le disque métallique à l'aide de la brosse souple fournie (Fig. 7). Reportez-vous au chapitre « Entretien » pour connaître la procédure étape par étape.</p> <p>Faites passer le câble à l'arrière du bac et assurez-vous qu'il sorte du bac par la fente latérale.</p>
Une odeur désagréable se dégage lors de l'utilisation de l'appareil.	<p>Eau sale ou stagnante.</p> <p>Utilisation d'eau du robinet non filtrée.</p>	<p>Nettoyez l'appareil comme décrit dans le chapitre « Entretien ».</p> <p>Utilisez uniquement de l'eau du robinet filtrée.</p>
Les ampoules principales ne fonctionnent pas et il n'y a pas de flammes ni de fumée.	<p>Il n'y a pas d'eau dans le réservoir.</p>	<p>Suivez les instructions des chapitres « Entretien » et « Remplissage du réservoir d'eau ».</p> <p>Assurez-vous que le câble d'alimentation est branché et que l'interrupteur « A » de la figure 4 est sur la position « MARCHE » (I).</p>

Einführung

Vielen Dank, dass Sie sich für dieses elektrische Feuer von Dimplex entschieden haben. Bitte lesen Sie diesen Informationsleitfaden sorgfältig durch, um Ihr Produkt sicher installieren, verwenden und warten zu können.

Wichtige Sicherheitshinweise

Bei der Verwendung von Elektrogeräten sollten stets grundlegende Vorsichtsmaßnahmen getroffen werden, um das Risiko von Bränden, elektrischen Schlägen und Verletzungen von Personen zu verringern, einschließlich der folgenden:

1. WARNUNG

Legen Sie keine Materialien oder Kleidungsstücke auf das Gerät und behindern Sie nicht die Luftzirkulation um das Gerät herum. Dieses Gerät ist mit der Warnung NICHT ABDECKEN versehen.

2. BESCHÄDIGUNG

Verwenden Sie dieses Gerät nicht, wenn es fallengelassen wurde.

Wenn das Gerät beschädigt ist, wenden Sie sich an den Lieferanten, bevor sie es installieren und in Betrieb nehmen. Wenn das Netzkabel beschädigt ist, muss es durch den Hersteller oder dessen Kundendienst oder eine ähnlich qualifizierte Person ersetzt werden, um eine Gefährdung zu vermeiden.

3. ORT

Verwenden Sie es nicht im Freien.

Verwenden Sie es nicht in unmittelbarer Nähe einer Badewanne, einer Dusche oder eines Schwimmbeckens. Stellen Sie das Feuer nicht unmittelbar unter einer festen Steckdose oder Anschlussdose auf. Stellen Sie sicher, dass alle Möbel, Vorhänge oder andere brennbare Materialien weiter als 1 Meter vom Gerät entfernt sind. Verwenden Sie das Gerät auf einer horizontalen und stabilen Oberfläche oder befestigen Sie es gegebenenfalls an einer Wand.

4. STECKERPOSITIONIERUNG

Das Gerät muss so positioniert werden, dass der Stecker oder die Trennstelle zugänglich ist. Halten Sie das Netzkabel von der Vorderseite des Geräts fern.

5. AUSSTECKEN

Im Falle eines Fehlers ziehen Sie den Netzstecker oder trennen Sie das Gerät vom Stromnetz. Ziehen Sie den Netzstecker oder trennen Sie das Gerät von der Stromversorgung, wenn es über einen längeren Zeitraum nicht benötigt wird.

6. BESITZER/BENUTZER

Dieses Gerät kann von Kindern ab 8 Jahren und von Personen mit eingeschränkten körperlichen, sensorischen oder geistigen Fähigkeiten oder mangelnden Erfahrungen oder Kenntnissen benutzt werden, wenn sie eine Aufsicht oder Anweisungen über den sicheren Gebrauch des Gerätes erhalten haben und die damit verbundenen Gefahren verstehen. Kinder dürfen nicht mit dem Gerät spielen. Reinigung und Benutzerwartung dürfen von Kindern nur unter Aufsicht vorgenommen werden.

Kinder unter 3 Jahren sollten vom Gerät ferngehalten werden, es sei denn, sie werden ständig beaufsichtigt. Kinder im Alter von 3 bis 8 Jahren dürfen das Gerät nur ein- und ausschalten, wenn es in seiner bestimmungsgemäßen normalen Betriebsstellung aufgestellt oder installiert wurde und sie eine Aufsicht oder Anweisung über den sicheren Gebrauch des Gerätes erhalten haben und die damit verbundenen Gefahren verstehen. Kinder im Alter von 3 bis 8 Jahren dürfen das Gerät nicht anschließen, regeln und reinigen oder eine Benutzerwartung durchführen.

7. STROM

WARNUNG – DIESES GERÄT MUSS GEERDET WERDEN.

Dieses Gerät darf nur mit Wechselstrom betrieben werden und die auf dem Gerät angegebene Spannung muss mit der Versorgungsspannung übereinstimmen. Lesen Sie vor dem Einschalten die Sicherheitshinweise und Bedienungsanleitungen.

ACHTUNG – Einige Teile dieses Produkts können sehr heiß werden und Verbrennungen verursachen. Besondere Aufmerksamkeit muss aufgewendet werden, wo Kinder und schutzbedürftige Personen anwesend sind.

WARNUNG – Um Überhitzung zu vermeiden, darf das Gerät nicht abgedeckt werden.

Allgemeine Informationen

Verwenden Sie in diesem Gerät nur gefiltertes Wasser. Stellen Sie immer sicher, dass das Gerät auf einer ebenen Fläche steht.

Bitte beachten Sie: In Umgebungen mit sehr geringen Hintergrundgeräuschen ist möglicherweise ein Geräusch zu hören, das mit dem Betrieb des Flammeneffekts zusammenhängt. Das ist normal und sollte kein Grund zur Sorge sein. Wenn dieses Produkt aus irgendeinem Grund einen Stromstoß bekommt, kann das Produkt abschalten. Dies ist eine normale Sicherheitsfunktion und das Produkt nimmt nach 30 Sekunden seinen Betrieb wieder auf.

Nach der Installation darf dieses Gerät niemals bewegt oder auf seine Rückseite gelegt werden, ohne vorher das Wasser aus dem Sumpf und dem Wassertank abzulassen.

Wenn Sie das Gerät länger als 2 Wochen nicht benutzen wollen, lassen Sie das Wasser aus dem Sumpf und dem Wassertank ab und trocknen Sie den Sumpf.

Wassertank, Sumpf, Sumpfdeckel, Tankkappe und Luftfilter müssen alle zwei Wochen gereinigt werden, insbesondere in Gebieten mit hartem Wasser.

Der Sumpf und der Wassertank in diesem Produkt sind mit einem Biozid-Produkt, Silberbiozid, behandelt. Dies entspricht der neuesten relevanten ISO-Norm.

Installationsanweisungen

BEVOR SIE BEGINNEN

1. Vergewissern Sie sich, dass alle Verpackungsteile entfernt wurden (lesen Sie die Warnschilder sorgfältig durch) und bewahren Sie alle Verpackungsmaterialien für eine mögliche spätere Verwendung auf, beispielsweise für den Fall eines Umzugs oder die Rücksendung des Gerätes an Ihren Lieferanten.
2. Vergewissern Sie sich vor dem Anschließen an das Stromnetz, dass die Versorgungsspannung mit der auf dem Gerät angegebenen übereinstimmt.

INSTALLATION

Dieses Gerät wurde für die Unterbringung in gesondert gestaltete Strukturen konzipiert – z. B. Möbel, Kamineinfassungen etc.

Um dieses Gerät in eine andere Struktur einzubauen, sollte es unter Beachtung dieser Richtlinien sicher montiert werden:

NOTWENDIGE BELÜFTUNG

Eine geeignete Belüftungsöffnung ist unerlässlich, um sicherzustellen, dass Luft in das Gerät zirkulieren kann – sonst funktioniert der Opti-Myst-Flammeneffekt nicht richtig. Für diese Belüftungsöffnung ist eine Aussparung von mindestens 100 cm² erforderlich. Dieser Luftweg darf nicht behindert werden. Beispiele für Belüftungsöffnungen finden Sie in Abb. 10. Die Belüftungsöffnung sollte zugfrei sein.

3. Konstruieren Sie eine Öffnung für das Gerät LxWxH 390x205x170mm (+3-0mm).
4. Stellen Sie sicher, dass ausreichend Platz zum Durchführen des Netzkabels vorhanden ist.
5. Eine Aussparung von mindestens 100 cm² ist erforderlich, damit Luft in das Gerät zirkulieren kann. – Siehe NOTWENDIGE BELÜFTUNG.
6. Setzen Sie das Gerät in die Öffnung ein.
7. Entfernen Sie den Wassersumpf, um Zugang zu den Schraubenlöchern zu erhalten.
8. Schrauben Sie das Gerät mit geeigneten Schrauben (nicht im Lieferumfang enthalten) in die Struktur.

Befüllen des Wassertanks

1. Stellen Sie den Wassertank ins Waschbecken und entfernen Sie die Kappe (zum Öffnen gegen den Uhrzeigersinn drehen).
2. Füllen Sie den Wassertank nur mit gefiltertem Leitungswasser. Dies ist notwendig, um die Lebensdauer der Flammen- und Raucheffektanlage zu verlängern. Das Wasser sollte durch eine herkömmliche Haushaltswasserfiltereinheit gefiltert und der Filter regelmäßig ausgetauscht werden. Destilliertes Wasser muss nicht verwendet werden.
3. Schrauben Sie die Kappe wieder auf – nicht zu fest anziehen.
4. Setzen Sie den Wassertank mit der Tankkappe nach unten und der flachen Seite des Tanks nach außen in den Sumpf ein.
5. Setzen Sie das Brennstoffbett auf den Wassertank.

Schließen Sie das Netzkabel an den entsprechenden Netzanschluss an der Rückseite des Geräts an und stecken Sie das Netzkabel in eine 13-Ampere/240-Volt-Steckdose. Das Gerät ist nun betriebsbereit.

Betrieb des Feuers


Dieser Abschnitt beschreibt, wie Sie Ihr Feuer entweder mit den manuellen Bedienelementen oder mit der Fernbedienung aktivieren.


MANUELLE BEDIENELEMENTE

Die manuellen Bedienelemente befinden sich unter dem Brennstoffbett.
(Siehe Abb.4 für die Anordnung der manuellen Bedienelemente.)

Schalter 'A': – Steuert die Stromversorgung des Feuers.

Hinweis: Dieser Schalter muss auf 'ON' (I) stehen, damit das Feuer in Betrieb ist.


Schalter 'B': – Drücken Sie , um den Flammeneffekt einzuschalten. Dies wird durch einen Signalton angezeigt. Die Hauptlichter funktionieren sofort, es dauert aber weitere 30 Sekunden, bis der Flammeneffekt einsetzt.

Drücken Sie , um das Feuer in den Standby-Modus zu versetzen. Dies wird durch einen Piepton angezeigt.

FERNBEDIENUNGSBETRIEB

Die Fernbedienung ist mit 2 AA-Batterien in einer Tasche verpackt. Nehmen Sie den Batteriefachdeckel auf der Rückseite der Fernbedienung ab und legen Sie die Batterien unter Beachtung der Polarität ein.

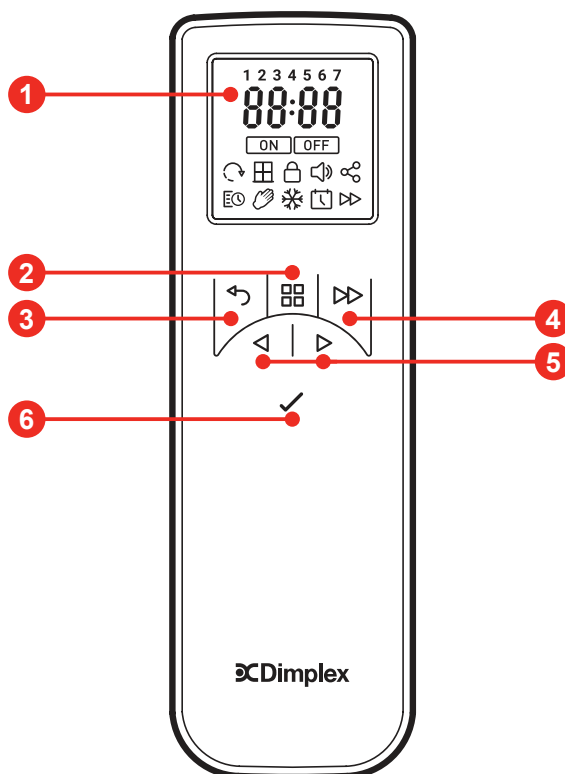
Die Fernbedienung wurde bereits während der werkseitigen Montage mit Ihrem Produkt gekoppelt. In dem unwahrscheinlichen Fall, dass sich die Fernbedienung vom Produkt trennt oder wenn Sie eine Ersatzfernbedienung erhalten, müssen Sie den Kopplungsvorgang durchführen:

1. Drücken Sie bei eingestecktem Produkt Schalter A in Position ON (I). Sie sollten einen Signalton hören.
2. Halten Sie 'Taste 6' gedrückt, bis im Bildschirm PAIR angezeigt wird.
3. Bringen Sie die Fernbedienung nahe an das Produkt, wo sich der Empfänger befindet . Siehe Abb. 4.
4. Das Produkt beginnt zu piepen und zu blinken.
5. Drücken Sie 'Taste 6', um den Kopplungsvorgang abzuschließen. Das Produkt wechselt in den Standby-Modus.

Einschalten des Gerätes

Halten Sie die EINGABE-Taste 3 Sekunden lang gedrückt, um die Fernbedienung zu aktivieren. FIRE wird angezeigt und ON blinkt. Drücken Sie EINGABE, um das Gerät einzuschalten. Um das Gerät auszuschalten, drücken Sie MENÜ, sodass FIRE blinkt. Drücken Sie zweimal EINGABE.

- 1 Bildschirm
- 2 'Menü'-Taste
- 3 'Zurück'-Taste
- 4 'Weiter'-Taste
- 5 Pfeile für nach 'oben und unten'
- 6 'Eingabe'-Taste



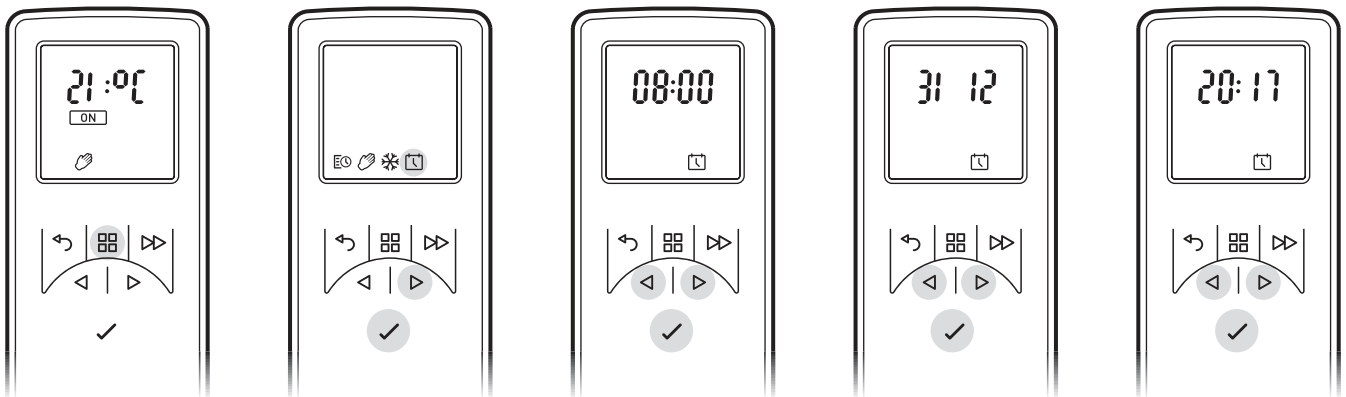
Anpassen der Flammeneinstellung

Drücken Sie bei aktivierter Fernbedienung einmal ▷. FIRE blinkt auf dem Bildschirm. Drücken Sie EINGABE. Die aktuelle Flammeneinstellung wird angezeigt F1–F6. Drücken Sie die Tasten ▷ und ◀, um die Einstellung anzupassen. Nachdem Sie Ihre Flammeneinstellung gewählt haben, drücken Sie zweimal ZURÜCK, um das Menü zu verlassen und zum Startbildschirm zurückzukehren.

Einstellen von Datum und Uhrzeit

Um Datum und Uhrzeit am Heizgerät einzustellen:

1. Drücken Sie die 'Menü'-Taste.
2. Drücken Sie die Taste ▷ viermal.
3. Drücken Sie 'Eingabe', wenn das Symbol für Datum und Uhrzeit blinkt.
4. Drücken Sie 'Eingabe', um die Zeit einzustellen.
5. Drücken Sie ◀ und ▷, um die Stunde einzustellen, und drücken Sie 'Eingabe'.
6. Drücken Sie ◀ und ▷, um die Minuten einzustellen, und drücken Sie 'Eingabe', um die Uhrzeit zu bestätigen.
7. Drücken Sie ◀ und ▷, um den Tag einzustellen, und drücken Sie 'Eingabe'.
8. Drücken Sie ◀ und ▷, um den Monat einzustellen, und drücken Sie 'Eingabe'.
9. Drücken Sie ◀ und ▷, um das Jahr einzustellen, und drücken Sie 'Eingabe', um das Datum zu bestätigen.



Benutzer-Timer – Zum Neuprogrammieren der werkseitig voreingestellten Timer-Modi:

1. Drücken Sie die 'Menü'-Taste.
 2. Drücken Sie einmal auf ▷, bis das Zeitplan-Symbol blinkt. Drücken Sie 'Eingabe'.
 3. Drücken Sie zweimal ▷ und dann 'Eingabe'.
Wochentage werden jetzt oben am Bildschirm angezeigt
- Day 1 = Montag
Day 2 = Dienstag
Day 3 = Mittwoch
Day 4 = Donnerstag
Day 5 = Freitag
Day 6 = Samstag
Day 7 = Sonntag
4. Drücken Sie 'Eingabe', um Tag 1 zu ändern, oder drücken Sie ▷, um zum gewünschten Tag zu navigieren, und drücken Sie 'Eingabe', um ihn auszuwählen.
 5. P1 wird auf dem Bildschirm angezeigt.
 6. Drücken Sie 'Eingabe', um P1 auszuwählen, drücken Sie ▷, um zu P2, P3 oder P4 zu navigieren, und drücken Sie 'Eingabe', um es auszuwählen.
 7. ON wird hervorgehoben, drücken Sie 'Eingabe', um die Einschaltzeit einzustellen.
 8. Drücken Sie ◀ oder ▷, um die Einschaltstunde einzustellen, und drücken Sie zur Bestätigung 'Eingabe'.
 9. Drücken Sie ◀ oder ▷, um die Einschaltminute einzustellen, und drücken Sie zur Bestätigung 'Eingabe'.
 10. Drücken Sie ◀ oder ▷, um die Temperatureinstellung anzupassen, und drücken Sie zur Bestätigung 'Eingabe'.
 11. Drücken Sie ◀ oder ▷, um die Ausschaltstunde einzustellen, und drücken Sie zur Bestätigung 'Eingabe'.
 12. Drücken Sie ◀ oder ▷, um die Ausschaltminute einzustellen, und drücken Sie zur Bestätigung 'Eingabe'.

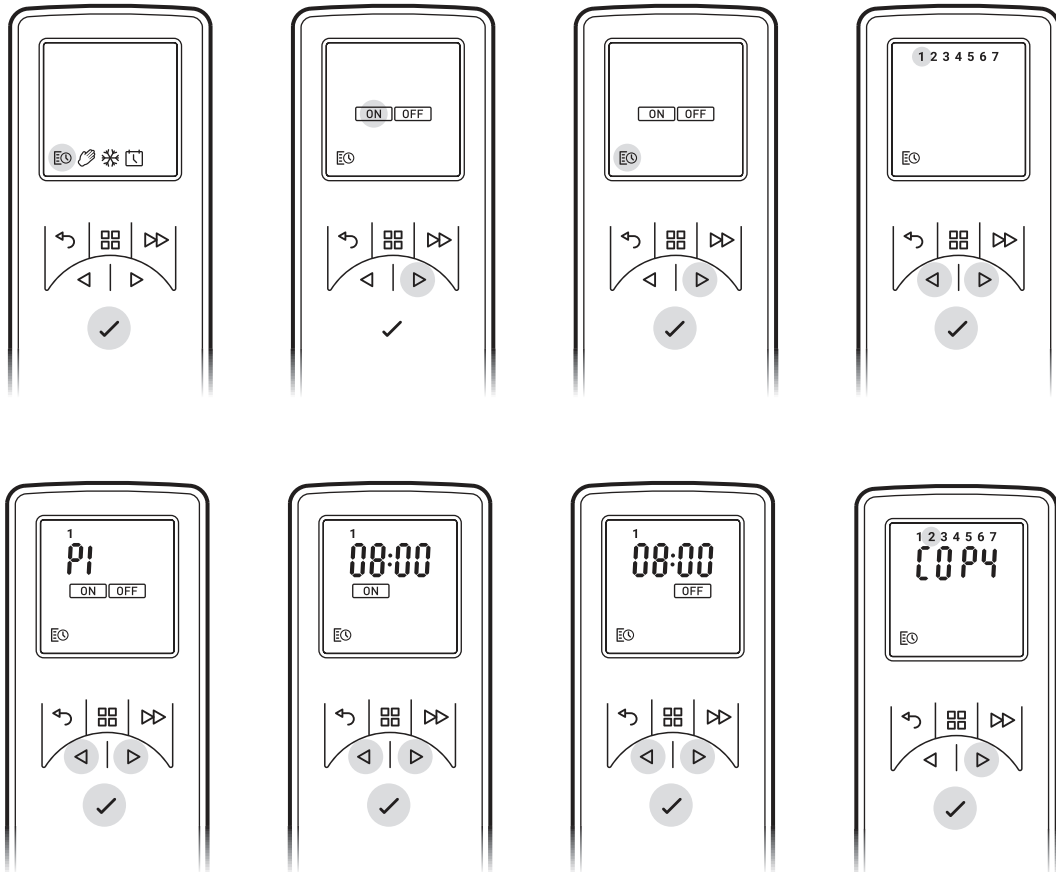
Drücken Sie 'Eingabe', um Programm P2 zu ändern. Befolgen Sie die Schritte 5 bis 12. Drücken Sie ▷, um zu P3 zu springen.

Drücken Sie 'Eingabe', um Programm P3 zu ändern. Befolgen Sie die Schritte 5 bis 12. Drücken Sie ▷, um zu P4 zu springen.

Drücken Sie 'Eingabe', um Programm P4 zu ändern. Befolgen Sie die Schritte 5 bis 12.

Um neu programmierte Heizprogramme P1 bis P4 auf andere Tage zu kopieren, drücken Sie die 'Eingabe'-Taste. Copy wird auf dem Bildschirm angezeigt. Um auf den nächstfolgenden Tag zu kopieren, drücken Sie die Taste ▷. Um den nächstfolgenden Tag abzuwählen, drücken Sie die 'Eingabe'-Taste.

Die ausgewählten Wochentage werden oben auf dem Bildschirm angezeigt. Die abgewählten Tage sind nicht sichtbar (siehe Abbildungen). Drücken Sie zur Bestätigung 'Eingabe', die Hintergrundbeleuchtung leuchtet auf und die Anzeige kehrt zum Startbildschirm zurück.



Erhalten des gewünschten Flammeneffekts

1. Drücken Sie auf der Fernbedienung MENÜ, auf dem Bildschirm blinkt FIRE, drücken Sie EINGABE. Die aktuelle Einstellung wird angezeigt. Drücken Sie ^ oder v, um zwischen F1 und F6 umzuschalten. F1 ist die niedrigste und F6 die höchste Einstellung.
2. Generell erscheinen die Flammen realistischer, wenn die Flammensteuerung heruntergeregelt ist.
3. Geben Sie dem Flammenerzeuger Zeit, um auf die Änderungen zu reagieren, die Sie vornehmen.
4. Das Feuer verbraucht weniger Wasser, wenn der Flammeneffekt auf eine kleinere Stufe gestellt ist.
5. Kippen oder bewegen Sie das Feuer nicht, solange sich Wasser im Tank oder Sumpf befindet.
6. Stellen Sie sicher, dass sich das Feuer auf ebenem Boden befindet.

Anpassen der Anzeige

Der maximale Temperatursollwert am Produkt ist 30°C. Sie haben die Möglichkeit, diesen Sollwert niedriger einzustellen. Sie können auch °C in °F ändern.

1. Drücken Sie die Menü-Taste.
2. Drücken Sie die WEITER-Taste zweimal. – SP blinkt.
3. Drücken Sie zur Bestätigung 'Eingabe'.
4. Drücken Sie v oder ^, um zwischen °C und °F zu wählen.
5. Drücken Sie zur Bestätigung 'Eingabe'.
6. Drücken Sie v oder ^, um Ihren maximalen Temperatursollwert auszuwählen.
7. Drücken Sie zur Bestätigung 'Eingabe'.
8. Drücken Sie dreimal ZURÜCK, um zum Startbildschirm zurückzukehren.

ALLGEMEINE TIPPS

Verwenden Sie in diesem Gerät nur gefiltertes Wasser. Stellen Sie immer sicher, dass das Gerät auf einer ebenen Fläche steht.

Wenn Sie das Gerät länger als 2 Wochen nicht benutzen wollen, entfernen und entleeren Sie den Sumpf und den Wassertank.

Nach der Installation darf dieses Gerät niemals bewegt oder auf seine Rückseite gelegt werden, ohne vorher das Wasser aus dem Sumpf und dem Wassertank abzulassen.

BEFÜLLEN DES WSSERTANKS

Wenn der Wassertank leer ist, der Flammen- und Raucheffect erlischt und Sie zwei Signaltöne hören, befolgen Sie diese Schritte:

1. Drücken Sie Schalter 'A' auf (0) (siehe Abb.4).
2. Heben Sie behutsam das Brennstoffbett heraus und legen es vorsichtig beiseite.
3. Entfernen Sie den Wassertank, indem Sie ihn nach oben und außen heben.
4. Stellen Sie den Wassertank ins Waschbecken und entfernen Sie die Kappe (zum Öffnen gegen den Uhrzeigersinn drehen).
5. Füllen Sie den Wassertank nur mit gefiltertem Leitungswasser. Dies ist notwendig, um die Lebensdauer der Flammen- und Raucheffectanlage zu verlängern. Das Wasser sollte durch eine herkömmliche Haushaltswasserfiltereinheit gefiltert und der Filter regelmäßig ausgetauscht werden.
6. Schrauben Sie die Kappe wieder auf, dabei nicht zu fest anziehen.
7. Stellen Sie den Tank mit der Tankkappe nach unten zurück in den Sumpf
8. Stellen Sie das Kraftstoffbett behutsam zurück in Position
9. Drücken Sie Schalter 'A' in Position 'ON' (I) (siehe Abb.4).

REINIGUNG

Warnung – Stellen Sie Schalter 'A' immer auf 'OFF' (0) (siehe Abb. 4) und trennen Sie das Gerät von der Stromversorgung, bevor Sie das Feuer reinigen.

Wir empfehlen, die folgenden Komponenten alle 2 Wochen zu reinigen, insbesondere in Gebieten mit hartem Wasser: Wassertank, Sumpf, Düse, Tankkappe und Dichtung, Luftfilter.

Verwenden Sie für die allgemeine Reinigung ein weiches sauberes Staubtuch – nehmen Sie niemals scheuernde Reinigungsmittel.

Um Staub- oder Flusenansammlungen zu entfernen, sollte gelegentlich der weiche Bürstenaufsatz eines Staubsaugers verwendet werden.

Wassertank

1. Entfernen Sie den Wassertank, wie zuvor beschrieben, legen Sie ihn ins Waschbecken und entleeren Sie das Wasser.
2. Reiben Sie mit der mitgelieferten Bürste behutsam die Innenflächen der Kappe und achten Sie dabei besonders auf den Gummiring in der Außennut und die mittlere Gummidichtung.
3. Geben Sie eine kleine Menge Spülmittel in den Tank, setzen Sie die Kappe wieder auf und schütteln Sie ihn gut. Spülen Sie ihn aus, bis alle Spuren von Spülmittel verschwunden sind.
4. Füllen Sie nur gefiltertes Leitungswasser nach, setzen Sie die Kappe wieder auf und ziehen Sie sie nicht zu fest an.

Sumpf

1. Heben Sie behutsam das Brennstoffbett heraus und legen es vorsichtig auf den Boden.
2. Drücken Sie Schalter 'A' in Position 'OFF' (0).
3. Entfernen Sie den Wassertank, indem Sie ihn nach oben heben.
4. Trennen Sie den elektrischen Steckverbinder, der sich auf der Rückseite des Produkts unter dem Typenschild befindet (siehe Abb. 5).
5. Öffnen Sie die roten Clips.
6. Heben Sie die orangefarbene Düse behutsam an und legen Sie sie beiseite.
7. Heben Sie den Sumpf heraus und achten Sie darauf, kein Wasser zu verschütten, das sich noch darin befindet.
8. Der Wandler ist im Sumpf durch einen kleinen Clip gesichert. Ziehen Sie den Clip zurück, damit der Wandler aus dem Sumpf entfernt werden kann. Kippen Sie vorsichtig, damit das Wasser aus dem Sumpf abfließt.
9. Geben Sie eine kleine Menge Spülmittel in den Sumpf und reinigen Sie mit der mitgelieferten Bürste behutsam den Wandler, einschließlich der Metallscheiben, die sich in der oberen gerillten Fläche befinden (siehe Abb. 7).
10. Spülen Sie den Sumpf nach der Reinigung gründlich mit sauberem Wasser, um alle Spuren von Spülmittel zu entfernen.
11. Reinigen Sie die Düse mit der Bürste und spülen Sie sie gründlich mit Wasser aus (siehe Abb. 8).
12. Zum Wiederausammenbau führen Sie die obigen Schritte in umgekehrter Reihenfolge durch.

Luftfilter

1. Heben Sie behutsam das Brennstoffbett heraus und legen es vorsichtig auf den Boden.
2. Schieben Sie den Luftfilter behutsam nach oben aus seinem Kunststoffhalter heraus (siehe Abb. 9).
3. Spülen Sie ihn im Waschbecken vorsichtig mit Wasser ab und trocknen Sie ihn mit einem Stofftuch, bevor sie ihn zurücksetzen.
4. Setzen Sie den Filter wieder ein und achten Sie darauf, dass der grobe schwarze Filter zur Vorderseite des Feuers zeigt.
5. Setzen Sie das Brennstoffbett wieder ein.

Zusatzinformationen

KUNDENDIENST

Ihr Produkt hat eine Garantie von zwei Jahren ab Kaufdatum. Innerhalb dieser Frist verpflichten wir uns, dieses Produkt kostenlos zu reparieren oder auszutauschen (ausgenommen Lampen und je nach Verfügbarkeit), sofern es gemäß dieser Anleitung installiert und betrieben wurde. Ihre Rechte aus dieser Garantie ergänzen Ihre gesetzlichen Rechte, die wiederum von dieser Garantie nicht berührt werden.

RECYCLING



Für elektrische Produkte, die innerhalb der Europäischen Gemeinschaft verkauft werden – Am Ende der Nutzungsdauer von elektrischen Produkten darf es nicht mit dem Hausmüll entsorgt werden. Bitte recyceln Sie, wo Anlagen vorhanden sind. Erkundigen Sie sich bei Ihrer örtlichen Behörde oder Ihrem Händler nach einer Recycling-Beratung in Ihrem Land.

PATENT/PATENTANMELDUNG

Produkte aus dem Optimyst-Sortiment sind durch eines oder mehrere der folgenden Patente und Patentanmeldungen geschützt:

Großbritannien GB 2402206, GB 2460259, GB 2460453, GB 2418014, GB 2465738, GB 2449925, GB 2465537, GB 2455277, GB1020534.2, GB1020537.5, GB1110987.3

Vereinigte Staaten US 7967690, US 2010299980, US 2011062250, US 2008028648, US 13/167,042

Russland RU2008140317

Europäische EP 2029941, EP 2201301, EP 2315976, EP 1787063, EP07723217.1, EP11170434.2, EP 11170435.9

China CN 101883953, CN 200980128666.2, CN 101057105, CN 101438104

Australien AU 2009248743, AU 2007224634

Kanada CA 2725214, CA 2579444, CA 2645939

Internationale Patentanmeldung WO 2006027272

Südafrika ZA 200808702

Mexico MX 2008011712

Korea KR 20080113235

Japan JP 2009529649

Brasilien BR P10708894-9

Indien IN 4122/KOLNP/2008

Neuseeland NZ 571900

Fehlerdiagnose		
Symptom	Ursache	Abhilfe
Der Flammeneffekt lässt sich nicht einschalten.	<p>Netzstecker ist nicht angeschlossen.</p> <p>Wenig Wasser.</p> <p>Der Niederspannungsstecker ist nicht richtig angeschlossen (Abb. 5).</p> <p>Die Wandlereinheit sitzt nicht richtig im Sumpf.</p>	<p>Prüfen Sie, ob der Netzstecker richtig an die Steckdose angeschlossen ist.</p> <p>Prüfen Sie, ob der Wassertank gefüllt ist, und ob sich Wasser im Sumpf befindet.</p> <p>Prüfen Sie, ob der Stecker korrekt angeschlossen ist (Abb. 5).</p> <p>Sorgen Sie dafür, dass der Wandler richtig in der geformten Aussparung im Sumpf sitzt.</p>
Der Flammeneffekt arbeitet zu niedrig.	<p>Die Metallscheibe im Wandler ist evtl. verschmutzt (siehe Abb. 7).</p> <p>Die Leitung von der Wandlereinheit liegt über der Metallscheibe.</p>	<p>Die Metallscheibe mit der beigefügten weichen Bürste reinigen (siehe Abb. 7). Die schrittweise gegliederten Anweisungen finden Sie im Abschnitt „Wartung“.</p> <p>Die Leitung zur Rückseite des Sumpfs führen und darauf achten, dass sie im seitlichen Schlitz aus dem Sumpf austritt.</p>
Unangenehmer Geruch während des Betriebs.	<p>Verschmutztes oder abgestandenes Wasser.</p> <p>Es wird ungefiltertes Leitungswasser benutzt.</p>	<p>Das Gerät wie im Wartungsabschnitt erläutert reinigen.</p> <p>Nur gefiltertes Leitungswasser benutzen.</p>
Die Hauptlampen leuchten nicht, und es sind weder Flammen noch Rauch zu sehen.	<p>Es ist kein Wasser im Tank.</p>	<p>Befolgen Sie die Anweisungen unter Wartung „Wassertank auffüllen“.</p> <p>Prüfen Sie, ob der Netzstecker richtig an die Steckdose angeschlossen ist und Schalter „A“ (Abb. 4) auf I).</p>

Introducción

Gracias por haber elegido una chimenea eléctrica de Dimplex. Por favor, lea esta guía informativa con atención para instalar, utilizar y realizar el mantenimiento de su producto con seguridad.

Información importante de seguridad

Cuando utilice aparatos eléctricos, debe tomar siempre medidas de precaución básicas para reducir el riesgo de provocar un incendio o de causar descargas eléctricas o lesiones; cabe destacar las siguientes medidas:

1. AVERTENCIA

No coloque ningún tipo de material o tejido sobre el aparato ni obstruya en modo alguno la circulación de aire a su alrededor. Este producto lleva una indicación de “NO CUBRIR”.

2. DAÑOS

No utilice el aparato si se ha golpeado.

Si el aparato está dañado, consulte con el proveedor antes de instalarlo y utilizarlo.

Si el cable de alimentación está dañado, deberá ser reemplazado por el fabricante, por el servicio técnico o por alguien con una cualificación similar para evitar riesgos.

3. EMPLAZAMIENTO

No lo utilice cerca de bañeras, duchas o piscinas.

No coloque el aparato inmediatamente debajo de enchufes o de cajas de conexiones.

Asegúrese de que no hay muebles, cortinas u otros objetos inflamables en un radio de 1 metro alrededor del aparato.

Utilice este aparato sobre una superficie horizontal y estable o, si procede, móntelo en una pared.

4. CONEXIÓN

El aparato se deberá disponer de tal forma que el enchufe esté accesible. Mantenga el cable de alimentación alejado de la parte frontal del aparato.

5. DESCONEXIÓN

En caso de que se produzca un corte, desconecte o aisle el aparato.

Desconecte o aisle el aparato cuando no lo vaya a utilizar durante largos períodos de tiempo.

6. PROPIETARIO/USUARIO

Este aparato puede ser utilizado por niños de más de 8 años, por personas con capacidades físicas, sensoriales o mentales reducidas y por personas sin experiencia ni conocimientos previos si se les supervisa o se les ha explicado cómo utilizarlo de forma segura y han comprendido los peligros que alberga. No es un juguete para niños. Los niños no se podrán encargar de limpiarlo ni del mantenimiento a nivel de usuario sin supervisión.

Los niños de menos de 3 años no deben estar cerca del aparato salvo que se les esté supervisando continuamente. Asimismo, los niños de más de 3 años pero menores de 8 solo podrán encender y apagar el aparato cuando este ya se haya colocado o instalado en la posición normal de funcionamiento siempre que se les haya supervisado, se les haya explicado cómo utilizarlo de forma segura y hayan comprendido los peligros que alberga. Los niños de más de 3 años y menos de 8 no deben enchufar, regular ni limpiar el aparato; ni tampoco realizarán tareas de mantenimiento a nivel de usuario.

7. ELECTRICIDAD

ADVERTENCIA: EL APARATO TIENE QUE ESTAR CONECTADO A TIERRA.

Conecte el aparato solo a tomas de CA con un voltaje que se corresponda con la tensión de alimentación que marca el aparato. Antes de encenderlo, lea la información de seguridad y las instrucciones de uso.

PRECAUCIÓN: Algunas parte de este producto pueden calentarse mucho y causar quemaduras. Preste especial atención cuando haya niños y personas vulnerables.

ADVERTENCIA: Para evitar que el aparato se sobrecaliente, no lo cubra.

Información general

Utilice exclusivamente agua filtrada con este aparato. Asegúrese siempre de que el aparato está en una superficie nivelada.

Atención: utilice el aparato en espacios en que el ruido de fondo sea muy bajo. Puede que escuche un sonido relacionado con el efecto de las llamas; es completamente normal y no debería preocuparle.

Si el aparato sufre una subida de tensión, puede que deje de funcionar. Se trata de un mecanismo de seguridad completamente normal; el aparato continuará funcionando después de 30 segundos.

Una vez instalado, no mueva el aparato ni lo tumbe sobre la parte trasera sin haber extraído el agua del sumidero y del tanque de agua.

Si no va a utilizar el aparato durante un período superior a 2 semanas, extraiga el agua del sumidero y del tanque de agua y seque el sumidero.

El tanque de agua, el sumidero, la tapa del sumidero y los filtros de agua se deben limpiar cada dos semanas; esto es particularmente importante en zonas con aguas duras.

El sumidero y el tanque de agua de este producto se tratan también con un biocida de plata (Silver Biocide) que cumple con la normativa ISO más actual.

Instrucciones de instalación

ANTES DE COMENZAR

1. Asegúrese de que ha retirado todos los precintos (lea las etiquetas de advertencia con atención) y conserve todos los embalajes para posibles usos en el futuro; por ejemplo, en caso de que se mude o si devuelve el aparato al proveedor.
2. Antes de conectar el aparato a la red eléctrica, asegúrese de que la potencia de alimentación es la misma que se indica en el aparato.

INSTALACIÓN

Este aparato se ha diseñado para instalarse en diferentes estructuras; por ejemplo, muebles, chimeneas...

Para montar el aparato en cualquier otra estructura, deberá asegurarse de que encaja con seguridad siguiendo estos pasos:

VENTILACIÓN ESENCIAL

Para asegurar que el aire circula por el aparato correctamente, es necesario disponer de una ventilación adecuada; de lo contrario el efecto de fuego Optimyst no funcionará correctamente. Para la ventilación necesitará un espacio de, como mínimo, 100 cm². Asegúrese de que no está obstruido. Vea la Fig. 10 si quiere ejemplos de conductos de ventilación. Evite las corrientes de aire en la ventilación.

3. Cree un espacio para el aparato LxWxH 390x205x170mm (+3-0mm).
4. Asegúrese de que hay espacio suficiente para pasar los cables principales.
5. Para asegurarse de que el aire circula por el aparato, necesitará una cavidad de, al menos, 100 cm². Ver «VENTILACIÓN ESENCIAL».
6. Introduzca el aparato en el espacio.
7. Retire el sumidero para permitir el acceso a los orificios roscados.
8. Atornille el aparato a la estructura con los tornillos adecuados (no incluidos).

Llenar el tanque de agua

1. Coloque el tanque de agua en el fregadero y retire la tapa (giran en el sentido contrario a las agujas del reloj para abrirla).
2. Llene el tanque de agua exclusivamente con agua de grifo filtrada. Es necesario para prolongar la vida de la unidad que produce los efectos de llamas y humo. El agua deberá filtrarse con un filtro de agua doméstico convencional. Cambie el filtro ocasionalmente. No utilice agua destilada.
3. Vuelva a atornillar la tapa (no la apriete demasiado).
4. Coloque el tanque de agua en el sumidero, con la tapa del tanque hacia abajo y el lado plano del tanque hacia fuera.
5. Coloque el lecho sobre el tanque de agua.

Conecte el cable de alimentación a la conexión de entrada adecuada en la parte trasera del aparato y conecte el cable de alimentación a una salida de 13 amperios / 240 voltios. Ya puede utilizar el aparato.


Activar el fuego


En esta sección se explica cómo activar el fuego utilizando tanto los controles manuales como el mando a distancia.

CONTROLES MANUALES

Los controles manuales están debajo del lecho.
(Ver Fig.4 para la disposición de los controles manuales)

Interruptor «A»:- Controla la alimentación del aparato.
Nota: el interruptor debe estar en posición «ON» (I) para funcionar.


Interruptor «B»:- Presione  para encender el efecto de las llamas. Al presionarlo, escuchará un «bip». Aunque las luces principales comiencen a funcionar de inmediato, el efecto de las llamas no comenzará a funcionar hasta pasados unos 30 segundos.

Presione  para poner el aparato en standby. Escuchará un «bip».

FUNCIONAMIENTO CON MANDO A DISTANCIA

El mando a distancia viene en una bolsa con 2 pilas AA. Retire la tapa de la parte trasera del mando e introduzca las pilas; preste atención al sentido de los polos.

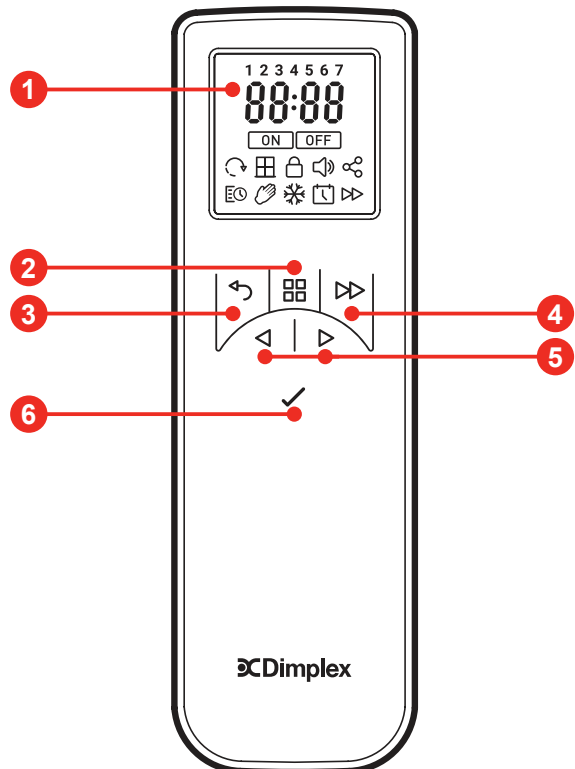
El mando ya se ha enlazado con su producto durante el proceso de montaje en fábrica. En el improbable caso de que su mando a distancia se desconecte del producto o en caso de que se haga con un mando a distancia adicional, tendrá que realizar el proceso de emparejamiento:

1. Con el producto enchufado, ponga el interruptor «A» en la posición ON (I). Debería escuchar un «bip».
2. Mantenga presionado el «Botón 6» hasta que la pantalla muestre el texto “PAIR”.
3. Acerque el mando al receptor del producto . Ver Fig. 4.
4. El producto comenzará a hacer «bip» y a parpadear.
5. Presione el «Botón 6» para completar el emparejamiento. El producto se pondrá en standby.

Encender el aparato

Mantenga presionado el botón ENTER durante 3 segundos para activar el mando. Se mostrará el texto FIRE y ON parpadeará. Para apagar el aparato presione MENU; entonces, parpadeará FIRE. En ese momento, presione ENTER dos veces.

- 1 Pantalla
- 2 Botón “Menú”
- 3 Botón “Atrás”
- 4 Botón “Adelante”
- 5 Flechas “Arriba” y “Abajo”
- 6 Botón ENTER



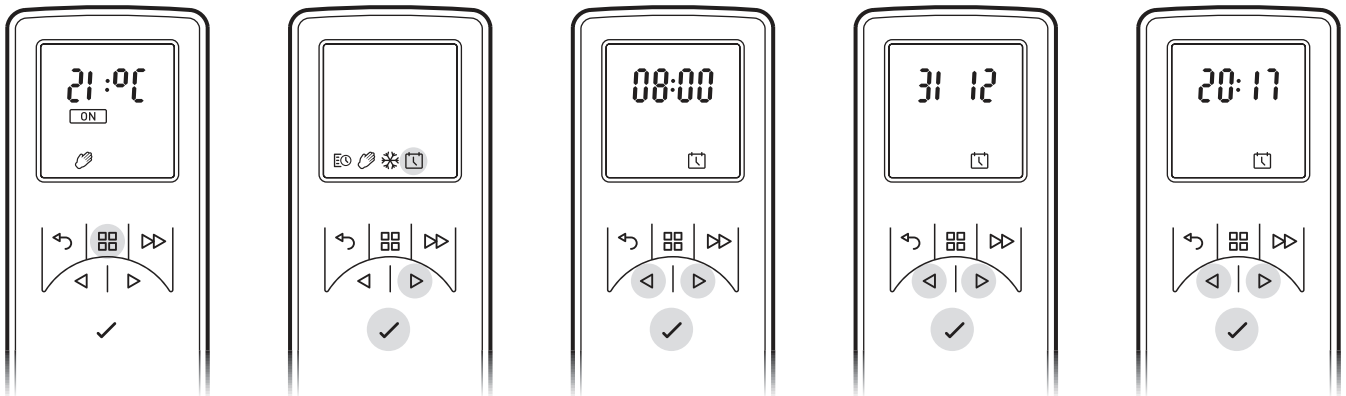
Configurar las llamas

FIRE parpadeará en la pantalla ▷. Presione ENTER. Se mostrará la configuración actual (F1 – F6) en la pantalla. Presione los botones ▷ y ◀ para ajustar la configuración. Cuando haya seleccionado la configuración de las llamas, presione ATRÁS dos veces para salir del menú y regresar a la pantalla de inicio.

Configurar la fecha y la hora

Para configurar la fecha y la hora en el aparato:

1. Pulse el botón MENÚ;
2. Pulse el botón ▷ 4 veces;
3. Pulse ENTER cuando parpadee el icono de Fecha y Hora;
4. Pulse ENTER para establecer la Hora;
5. Pulse ◀ y ▷ para establecer la hora, y presione ENTER;
6. Pulse ◀ y ▷ para establecer los minutos, y presione ENTER para confirmar la hora;
7. Pulse ◀ y ▷ para establecer el día y presione ENTER;
8. Pulse ◀ y ▷ para establecer el mes y presione ENTER;
9. Pulse ◀ y ▷ para establecer el año y presione ENTER para confirmar la fecha.



Reprogramar el calendario de fábrica:

1. Presione el botón MENÚ.
2. Presione ▷ una vez hasta que parpadee el icono del calendario. Presione ENTER.
3. Presione ▷ dos veces y pulse ENTER.
Los días de la semana se muestran en la parte superior de la pantalla
Day 1 = Lunes
Day 2 = Martes
Day 3 = Miércoles
Day 4 = Jueves
Day 5 = Viernes
Day 6 = Sábado
Day 7 = Domingo
4. Presione ENTER para modificar el día 1 o presione ▷ hasta el día deseado y presione ENTER para seleccionarlo.
5. P1 se mostrará en la pantalla
6. Presione ENTER para seleccionar P1, para navegar hasta P2, P3 o P4 presione ▷ y presione ENTER para seleccionar.
7. Verá ON destacado; presione ENTER para establecer la hora de encendido.
8. Presione ◀ o ▷ para establecer la hora y confirme pulsando ENTER.
9. Presione ◀ o ▷ para ajustar los minutos y confirme pulsando ENTER.
10. Presione ◀ o ▷ para ajustar la temperatura y confirme pulsando ENTER.
11. Presione ◀ o ▷ para establecer la hora de apagado y confirme pulsando ENTER.
12. Presione ◀ o ▷ para establecer para ajustar los minutos y confirme pulsando ENTER.

Presione ENTER para modificar el programa P2, siga los pasos 5-12, presione ▷ para pasar a P3.

Presione ENTER para modificar el programa P3, siga los pasos 5-12, presione ▷ para pasar a P4.

Presione ENTER para modificar programa P4, siga los pasos 5-12.

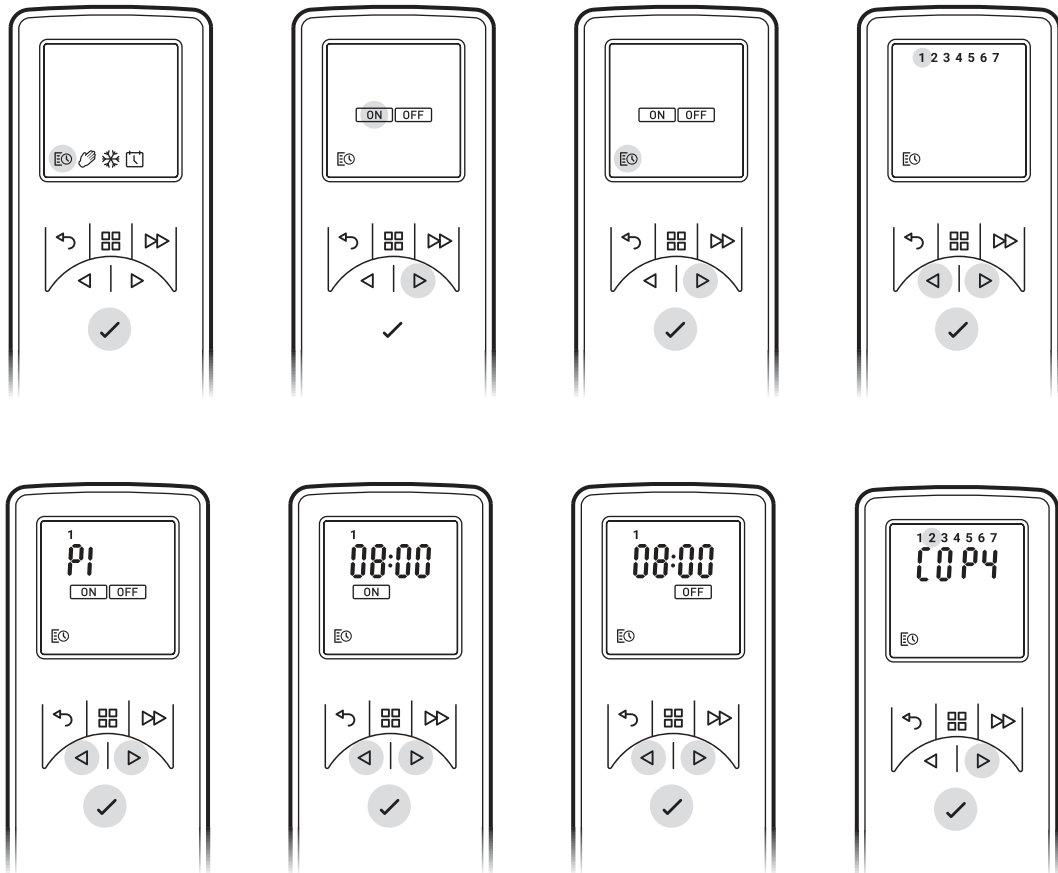
Para copiar los programas P1 – P4 a otros días, presiones ENTER.

Leerá “Copy” en la pantalla.

Para copiar al día siguiente, pulse el botón ▷. Para desmarcar el día siguiente, presione el botón ENTER.

Los días de la semana seleccionados se mostrarán en la parte superior de la pantalla. Los días desmarcados no serán visibles (ver Diagramas).

Presione ENTER para confirmar; la luz de fondo se iluminará y regresará a la pantalla inicial.



Conseguir el efecto deseado de las llamas

1. Utilice el mando a distancia y presione MENU, se iluminará FIRE en la pantalla; presione ENTER. Se mostrará la configuración actual. Presione ^ o v para pasar de F1 a F6. F1 es el mínimo y F6 es el máximo.
2. Por lo general, las llamas se ven más realistas cuando se baja la intensidad de llamas.
3. El generador de llamas necesitará un tiempo para realizar los cambios que usted quiera.
4. El fuego utilizará menos agua si el efecto de llamas se pone a un nivel más bajo.
5. No incline ni mueva el aparato mientras haya agua en el tanque o en el sumidero.
6. Asegúrese de que el aparato está en un suelo nivelado.

Personalizar la pantalla

La temperatura máxima que se puede poner en el producto es 30°C; pero esta máxima también se puede reducir. También puede pasar de °C a °F.

1. Presione MENÚ.
2. Presione ADELANTE dos veces - SP parpadeará.
3. Presione ENTER.
4. Presione v o ^ para escoger entre °C y °F.
5. Presione ENTER para confirmar.
6. Presione v o ^ para elegir la temperatura máxima.
7. Presione ENTER para confirmar.
8. Presione ATRÁS tres veces para regresar a la pantalla principal.

Mantenimiento

CONSEJOS GENERALES

Utilice exclusivamente agua de grifo filtrada en este aparato.

Asegúrese siempre de que el aparato está en una superficie nivelada.

Si no va a utilizar el aparato durante un período superior a 2 semanas, extraiga el agua del sumidero y del tanque de agua y seque el sumidero.

Una vez instalado, no mueva el aparato ni lo tumbes sobre la parte trasera sin extraer el agua del sumidero y del tanque de agua.

LLENAR EL TANQUE DE AGUA

Cuando el tanque está vacío, el efecto de llamas y humo se apaga y se escuchan dos “bips”. Por favor, siga estos pasos.

1. Ponga el interruptor «A» en (0) (ver Fig.4).
2. Extraiga y aparte cuidadosamente el lecho.
3. Extraiga el tanque de agua tirando hacia arriba y hacia fuera.
4. Coloque el tanque de agua en el fregadero y retire la tapa (girar en el sentido contrario a las agujas del reloj para abrirla; ver).
5. Llene el tanque de agua exclusivamente con agua de grifo filtrada. Es necesario para prolongar la vida de la unidad que produce los efectos de llamas y humo. El agua deberá filtrarse con un filtro de agua doméstico convencional. Cambie el filtro ocasionalmente. No utilice agua destilada.
6. Vuelva a atornillar la tapa (no la apriete demasiado).
7. Coloque el tanque de agua en el sumidero, con la tapa del tanque hacia abajo.
8. Coloque cuidadosamente el lecho en su lugar.
9. Ponga el interruptor «A» en ON (I); Ver Fig. 4.

LIMPIEZA

Advertencia –Ponga siempre el interruptor «A» en OFF (0) y desconecte el aparato de la corriente antes de limpiarlo.

Le recomendamos limpiar los siguientes componentes cada 2 semanas; especialmente en zonas de aguas duras: Tanque de agua, sumidero, pulverizado, tapa y junta y filtro de aire.

Para una limpieza general, utilice un paño suave, nunca productos de limpieza abrasivos.

Para eliminar la acumulación de polvo o pelusa, puede utilizarse de forma ocasional el accesorio de cepillo suave de un aspirador.

Tanque de agua

1. Retire el tanque de agua tal como se ha explicado anteriormente; póngalo en el fregadero y vacíe el agua.
2. Limpie suavemente con el cepillo que se le proporciona las superficies internas de la tapa, con especial atención al anillo de goma de la ranura externa y la junta de goma central.
3. Ponga una pequeña cantidad de detergente líquido, reajuste la tapa y agite; aclare hasta que todos los restos de detergente hayan desaparecido.
4. Rellénelo exclusivamente con agua de grifo filtrada; vuelva a colocar la tapa y no la apriete en exceso.

Sumidero

1. Retire el lecho cuidadosamente y póngalo en el suelo.
2. Ponga el interruptor “A” en OFF (0).
3. Retire el tanque de agua tirando hacia fuera y hacia arriba.
4. Desconecte el producto de la alimentación. La entrada está situada en la parte trasera del producto, tras la etiqueta de clasificación (ver Fig. 5).
5. Abra las pinzas rojas con un pellizco.
6. Extraiga cuidadosamente la boquilla naranja y apártela.
7. Extraiga cuidadosamente el sumidero y no derrame el agua que quede dentro.
8. El transductor va conectado al sumidero por una pequeña pinza. Retire la pinza para separar el transductor del sumidero. Inclínelo con cuidado para vaciar el líquido del sumidero.
9. Ponga una pequeña cantidad de detergente en el sumidero y, con el cepillo que le viene incluido, limpie con cuidado el transductor —incluidos los discos de metal situados en la superficie superior estriada —(ver Fig. 7).
10. Una vez limpio, aclárelo con agua abundante para eliminar todos los restos de detergente.
11. Limpie la boquilla con el cepillo y enjuáguela con agua abundante (ver Fig. 8).
12. Realice estos pasos a la inversa para volver a montarlo.

Filtro de aire

1. Retire cuidadosamente el lecho y colóquelo en el suelo.
2. Deslice el filtro de aire suavemente hacia arriba, sacándolo del soporte de plástico (ver Fig. 9).
3. Aclárelo con agua abundante en el fregadero y séquelo con un paño de tela antes de incorporarlo de nuevo.
4. Vuelva a colocar el filtro, asegurándose de que el filtro negro grueso mira hacia la parte delantera del aparato.
5. Vuelva a colocar el lecho.

Información adicional

SERVICIO POSVENTA

Su producto cuenta con una garantía de dos años desde la fecha de compra. Dentro de este período, nos haremos cargo de la reparación o el cambio de su producto sin coste alguno (salvo en el caso de las lámparas y siempre según disponibilidad) si se ha instalado y puesto a funcionar según estas instrucciones. Los derechos que le reconoce esta garantía se suman a sus derechos legales, que no se verán afectados por esta garantía.

RECICLAJE



Para productos eléctricos vendidos en la Unión Europea: al finalizar la vida útil de los productos eléctricos, no se deshaga de ellos con los residuos domésticos. Por favor, recicle siempre que disponga de los medios adecuados. Pida a su autoridad local o proveedor consejo sobre reciclaje en su país.

PATENTE / SOLICITUD DE PATENTES

Los productos de la gama Optimyst están protegidos por una o más de las siguientes patentes y solicitudes de patentes:

Reino Unido GB 2402206, GB 2460259, GB 2460453 , GB 2418014, GB 2465738, GB 2449925, GB 2465537 , GB 2455277 , GB1020534.2, GB1020537.5, GB1110987.3

Estados Unidos US 7967690, US 2010299980, US 2011062250, US 2008028648, US 13/167,042

Rusia RU2008140317

Europa EP 2029941, EP 2201301, EP 2315976, EP 1787063, EP07723217.1 , EP11170434.2, EP 11170435.9

China CN 101883953, CN 200980128666.2, CN 101057105, CN 101438104

Australia AU 2009248743, AU 2007224634

Canadá CA 2725214, CA 2579444, CA 2645939

Solicitud de Patente Internacional WO 2006027272

Sudáfrica ZA 200808702

México MX 2008011712

Corea KR 20080113235

Japón JP 2009529649

Brasil BR P10708894-9

India IN 4122/KOLNP/2008

Nueva Zelanda NZ 571900

Resolución de problemas

Síntoma	Causa	Acción correctiva
No se produce el efecto de llama.	El cable de alimentación no está enchufado. Nivel de agua bajo. El conector de baja tensión no está enchufado correctamente (Fig.5). La unidad del transductor no está correctamente colocada en el sumidero.	Compruebe que el enchufe está correctamente conectado a la toma de corriente. Compruebe que el depósito de agua está lleno y que hay agua en el sumidero. Compruebe que el conector está correctamente insertado (Fig.5). Compruebe que el transductor esté bien apoyado en el encaje moldeado en el sumidero.
El efecto de llama es muy bajo.	Es posible que el disco metálico del transductor esté sucio (consulte la Fig.7). El cable de la unidad del transductor está apoyado en el disco metálico.	Limpie el disco metálico con el cepillo suministrado (consulte la Fig.7). Para obtener información sobre el procedimiento detallado, consulte la sección "Mantenimiento". Dirija el cable a la parte posterior del sumidero y asegúrese de que se apoye en la ranura lateral que sale del sumidero.
Cuando está en uso, la unidad despiden un olor desagradable.	Agua sucia o estancada. Uso de agua del grifo sin filtrar.	Limpie la unidad tal como se describe en la sección de mantenimiento. Use únicamente agua de grifo filtrada.
Las bombillas principales no se encienden y no hay llamas ni humo.	No hay agua en el depósito de agua.	Siga las instrucciones de Mantenimiento , "Llenado del depósito de agua". Compruebe que el enchufe esté conectado a la toma de corriente correctamente y que el interruptor "A" fig. 4 está en la posición "ENCENDIDO" (I).

Introduzione

Vi ringraziamo per aver scelto il caminetto elettrico Dimplex. Leggere questa guida informativa attentamente per essere in grado di installare, utilizzare e mantenere il prodotto in modo sicuro.

Importante avviso di sicurezza

Quando vengono utilizzati dispositivi elettronici, devono sempre essere prese precauzioni indispensabili per ridurre il rischio di incendio, scossa elettrica e infortunio a persone, compreso quanto segue:

1. AVVERTENZA

Non posizionare materiali o indumenti al di sopra dell'apparecchiatura o in modo da ostruire la circolazione dell'aria attorno alla stessa.

Questa apparecchiatura è provvista di un adesivo "NON COPRIRE".

2. DANNEGGIAMENTO

Non utilizzare questa stufa qualora fosse stata fatta cadere.

Qualora l'apparecchiatura sia danneggiata, contattare il fornitore prima dell'installazione e del funzionamento. Se il cavo di alimentazione dell'apparecchiatura è danneggiato deve essere sostituito dal produttore o dall'assistenza tecnica o da personale ugualmente qualificato al fine di evitare rischi.

3. UBICAZIONE

Non utilizzare all'aperto. Non utilizzare nelle immediate vicinanze di una vasca da bagno, doccia o piscina. Non posizionare il caminetto immediatamente al di sotto di una presa di rete fissa o scatola di connessione. Assicurarsi che l'arredamento, le tende o altro materiale combustibile non siano posizionati a meno di 1 metro dall'apparecchiatura. Utilizzare questa apparecchiatura su una superficie orizzontale e stabile, o fissarla alla parete se necessario.

4. POSIZIONAMENTO DELLA PRESA

L'apparecchiatura deve essere posizionata in modo che la presa o il punto di isolamento siano accessibili. Mantenere il cavo di alimentazione lontano dalla parte anteriore dell'apparecchiatura.

5. DISCONNESSIONE

In caso di guasto, disconnettere o isolare l'apparecchiatura.

Disconnettere o isolare l'apparecchiatura se il suo utilizzo non è necessario per lunghi periodi.

6. PROPRIETARIO/UTENTE

Questa apparecchiatura può essere utilizzata da bambini a partire dagli 8 anni di età e da persone con abilità fisiche, sensoriali o mentali ridotte o prive di esperienza e conoscenze, se supervisionati e istruiti sull'uso sicuro dell'apparecchiatura e se consapevoli dei pericoli connessi. I bambini non devono giocare con l'apparecchiatura. La pulizia e la manutenzione non devono essere svolte da bambini senza supervisione. I bambini di età inferiore ai 3 anni devono essere tenuti lontani dall'apparecchiatura, salvo se sotto supervisione costante. I bambini di età compresa tra i 3 e gli 8 anni possono soltanto accendere/spegnere l'apparecchiatura a condizione che siano supervisionati o che siano state fornite loro le istruzioni riguardanti l'uso sicuro dell'apparecchiatura e siano consapevoli dei pericoli connessi e a condizione che l'apparecchiatura sia collocata o installata nella posizione di funzionamento prevista. I bambini di età compresa tra 3 e 8 anni non devono collegare, regolare e pulire l'apparecchiatura o eseguirne la manutenzione.

7. ELETTRICITÀ

AVVERTENZA – QUESTA APPARECCHIATURA DEVE ESSERE MESSA A TERRA.

Questa apparecchiatura deve essere utilizzata esclusivamente con un'alimentazione a corrente alternata e il voltaggio evidenziato su di essa deve corrispondere al voltaggio dell'alimentazione. Prima di accendere l'apparecchiatura, leggere l'avviso di sicurezza e le istruzioni di funzionamento.

ATTENZIONE: alcune parti di questo prodotto possono diventare molto calde e causare ustioni. È necessario prestare particolare attenzione in presenza di bambini o persone vulnerabili.

AVVERTENZA: al fine di evitare il surriscaldamento, non coprire l'apparecchiatura.

Informazioni generale

In questa apparecchiatura utilizzare esclusivamente acqua filtrata. Assicurarsi sempre che l'apparecchiatura sia posizionata su una superficie in piano. Importante: se l'apparecchiatura viene utilizzata in un ambiente dove il rumore di fondo è molto basso, è possibile che si percepisca un suono dovuto al funzionamento dell'effetto fiamma. Ciò è normale e non dovrebbe essere fonte di preoccupazioni. Se, per qualsiasi motivo, dovesse verificarsi una sovralimentazione dell'apparecchiatura, è possibile che l'alimentazione di quest'ultima si interrompa. Si tratta di una normale funzione di sicurezza e il prodotto riprenderà a funzionare dopo 30 secondi. Una volta installata, non spostare mai o appoggiare l'apparecchiatura sul retro senza prima aver vuotato l'acqua dalla vaschetta e dal serbatoio.

Se non si ha intenzione di utilizzare l'apparecchiatura per un periodo superiore alle 2 settimane, vuotare l'acqua dalla vaschetta e dal serbatoio, successivamente asciugare la vaschetta.

Il serbatoio, la vaschetta dell'acqua, il coperchio della vaschetta, il tappo del serbatoio e i filtri dell'aria devono essere puliti una volta ogni due settimane, in particolare nelle zone con acqua dura.

Il serbatoio e la vaschetta dell'acqua in questa apparecchiatura sono trattati con un prodotto biocida a base di argento, in conformità con la più recente norma ISO di pertinenza.

Istruzioni di installazione

PRIMA DI INIZIARE

1. Assicurarsi che tutto l'imballaggio sia stato rimosso (leggere attentamente tutte le etichette di avvertenza) e conservare tutto l'imballaggio per un possibile uso futuro, ad es. in caso di trasloco o restituzione dell'apparecchiatura al proprio fornitore.
2. Prima di collegarsi all'alimentazione principale, controllare che il voltaggio dell'alimentazione sia lo stesso di quello dell'apparecchiatura.

INSTALLAZIONE

Questa apparecchiatura è stata progettata per essere collocata in strutture ideate separatamente, ad es. arredamento, nicchie per caminetti, ecc.

Al fine di essere incorporata all'interno di un'altra struttura, questa apparecchiatura deve essere fissata saldamente, seguendo queste linee guida:

VENTILAZIONE ESSENZIALE

Una presa d'aria adeguata è essenziale al fine di garantire che l'aria possa circolare all'interno dell'apparecchiatura, altrimenti l'effetto fiamma Opti-myst non funzionerà correttamente. È necessario un vano di almeno 100cm² per la presa d'aria. Il percorso dell'aria non deve essere ostruito. Per esempi di presa d'aria vedere (Fig. 10) La presa d'aria deve essere libera da correnti d'aria.

3. Creare un'apertura per l'apparecchiatura LxWxH 390x205x170mm (+3-0mm)
4. Assicurarsi che vi sia uno spazio sufficiente per farvi passare il cavo di alimentazione.
5. È necessario un vano pari ad almeno 100cm² per garantire la circolazione dell'aria ottimale all'interno dell'apparecchiatura. Vedere VENTILAZIONE ESSENZIALE.
6. Abbassare l'apparecchiatura all'interno dell'apertura.
7. Rimuovere la vaschetta dell'acqua, al fine di raggiungere i fori per viti.
8. Inserire viti idonee (non comprese) e avvitarle per fissare l'apparecchiatura all'interno della struttura.

Riempire il serbatoio dell'acqua

1. Posizionare il serbatoio dell'acqua all'interno del lavandino e rimuovere il tappo (per aprirlo ruotare in senso antiorario)
2. Riempire il serbatoio dell'acqua solo con acqua del rubinetto filtrata. Questo passaggio è fondamentale per prolungare la durata dell'unità di produzione della fiamma e dell'effetto fumo. L'acqua deve essere filtrata attraverso una normale unità di filtraggio dell'acqua domestica e il filtro dovrebbe essere sostituito regolarmente. Non utilizzare acqua distillata.
3. Avvitare nuovamente il coperchio - non stringere eccessivamente.
4. Posizionare il serbatoio dell'acqua nella vaschetta, con il tappo del serbatoio rivolto all'ingiù e la superficie piatta del serbatoio rivolta all'esterno.
5. Posizionare il piano per combustibile sopra il serbatoio dell'acqua.

Collegare il cavo dell'alimentazione al connettore di alimentazione idoneo sul retro dell'applicazione e inserire il cavo dell'alimentazione in una presa di rete da 13amp/240volt. L'apparecchiatura è ora pronta per l'utilizzo.

Funzionamento del caminetto


Questa sezione descrive come attivare il caminetto utilizzando il controllo manuale o il controllo a distanza.


CONTROLLO MANUALE

Il controllo manuale è posizionato al di sotto del piano per combustibile.
(Vedere Fig.4 per la disposizione del Controllo manuale)

Interruttore "A": controlla l'alimentazione elettrica del caminetto.

Nota: questo interruttore deve essere in posizione di accensione "ON" (I) affinché il caminetto sia in funzionamento.


Interruttore "B": premere  per accendere l'effetto fiamma. L'accensione verrà segnalata da un segnale acustico. Sebbene l'illuminazione principale entri in funzione immediatamente, saranno necessari altri 30 secondi prima che inizi l'effetto fiamma.

Premere  per fare entrare il caminetto in modalità standby. L'entrata in modalità standby verrà indicata da un segnale acustico.

FUNZIONAMENTO A DISTANZA

Il telecomando è in una confezione separata insieme a due pile AA. Sollevare il coperchio del vano batterie sul retro del telecomando e inserire le pile, tenendo conto della polarità.

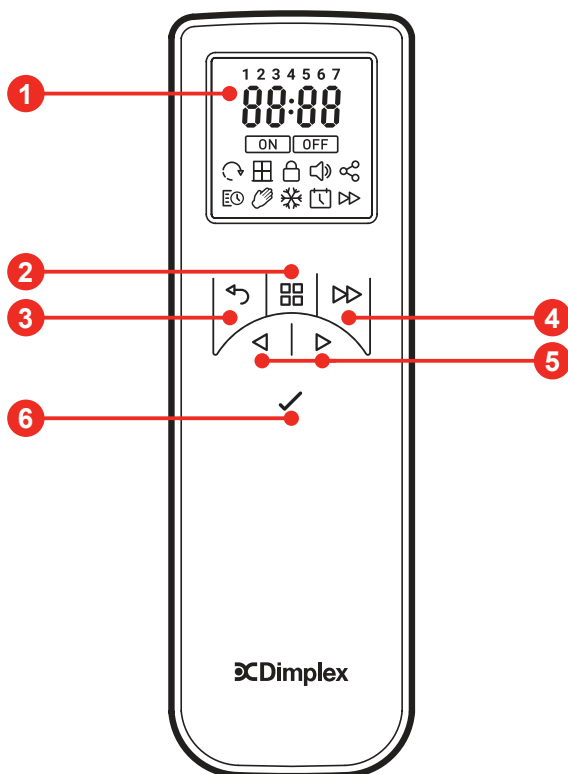
Il telecomando è già stato abbinato all'apparecchiatura durante la fase di assemblaggio in fabbrica. Nell'improbabile eventualità che il telecomando si disconnetta dal prodotto, o che l'utente si procuri un telecomando di ricambio, sarà necessario completare il processo di abbinamento:

1. Una volta collegata l'apparecchiatura all'alimentazione premere l'interruttore A in posizione di accensione ON (I). Si dovrebbe udire un segnale acustico.
2. Tenere premuto il "pulsante 6" fino a che non appaia "PAIR" ("abbina") sul display.
3. Avvicinare il telecomando all'apparecchiatura dove il ricevitore è . Vedere Fig.4
4. Il prodotto inizierà a emettere un segnale acustico e a lampeggiare.
5. Premere il "pulsante 6" per completare il processo di abbinamento. Il prodotto entrerà in modalità standby.

Accendere l'apparecchiatura

Tenere premuto ENTER per 3 secondi al fine di attivare il telecomando. Verrà visualizzato FIRE sul display e lampeggerà ON. Premere ENTER (Invio) per accendere l'apparecchiatura. Per spegnere l'apparecchiatura premere MENU in modo da far lampeggiare FIRE, successivamente premere ENTER due volte.

- 1 Schermata del display
- 2 Pulsante "Menu"
- 3 Pulsante "Indietro"
- 4 Pulsante "Avanti"
- 5 Frecche "Su e giù"
- 6 Pulsante "Invio"



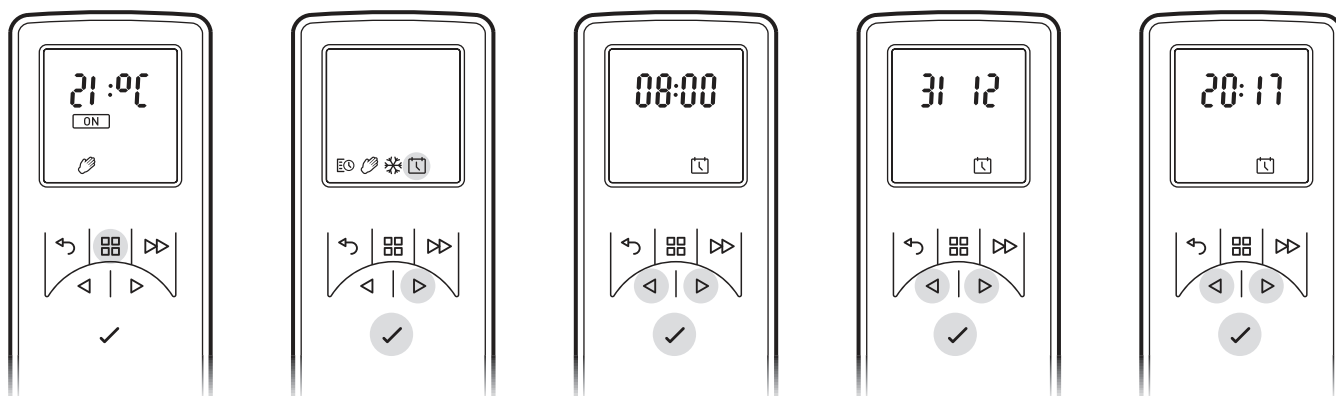
Regolare l'impostazione della fiamma

Con il telecomando attivato premere ▷ una volta. Lampeggerà FIRE sul display. Premere ENTER (Invio). L'attuale impostazione della fiamma sarà visualizzata F1-F6. Premere i tasti ▷ e ◀ per regolare l'impostazione. Dopo aver selezionato l'impostazione della fiamma, premere BACK (Indietro) due volte per uscire dal menu e tornare alla schermata iniziale.

Impostare giorno e ora

Per impostare il giorno e l'ora sulla stufa;

1. Premere il pulsante del Menu
2. Premere il pulsante ▷ 4 volte
3. Premere Invio quando lampeggia l'icona del giorno e dell'ora
4. Premere Invio per impostare l'ora
5. Premere ◀ e ▷ per impostare l'ora, premere Invio
6. Premere ◀ e ▷ per impostare i minuti, premere Invio per confermare l'ora
7. Premere ◀ e ▷ per impostare il giorno, premere Invio
8. Premere ◀ e ▷ per impostare il mese, premere Invio
9. Premere ◀ e ▷ per impostare l'anno, premere Invio per confermare la data



Temporizzatore dell'utente - per riprogrammare le modalità del temporizzatore predefinite:

1. Premere il pulsante del Menu
2. Premere ▷ una volta, fino a che non lampeggi l'icona di programmazione. Premere Invio
3. Premere ▷ due volte, successivamente premere Invio
I giorni della settimana sono ora visualizzati in cima alla schermata
Day 1 = lunedì
Day 2 = martedì
Day 3 = mercoledì
Day 4 = giovedì
Day 5 = venerdì
Day 6 = sabato
Day 7 = domenica
4. Premere Invio per modificare il primo giorno (Day 1) o premere ▷ per passare al giorno desiderato e premere Invio per selezionarlo
5. Verrà visualizzato P1 sulla schermata
6. Premere Invio per selezionare P1, premere ▷ per passare a P2, P3 o P4, e premere Invio per selezionare
7. Verrà evidenziato ON (acceso), premere Invio per impostare l'ora
8. Premere ◀ e ▷ per regolare l'ora, premere Invio per confermare
9. Premere ◀ e ▷ per regolare i minuti, premere Invio per confermare
10. Premere ◀ e ▷ per regolare l'impostazione della temperatura, premere Invio per confermare
11. Premere ◀ e ▷ per regolare l'ora di spegnimento, premere Invio per confermare
12. Premere ◀ e ▷ per regolare i minuti di spegnimento, premere Invio per confermare

Premere Invio per modificare il Programma P2, seguire i passaggi da 5 a 12, premere ▷ per saltare a P3

Premere Invio per modificare il Programma P3, seguire i passaggi da 5 a 12, premere ▷ per saltare a P4

Premere Invio per modificare il Programma P4, seguire i passaggi da 5 a 12

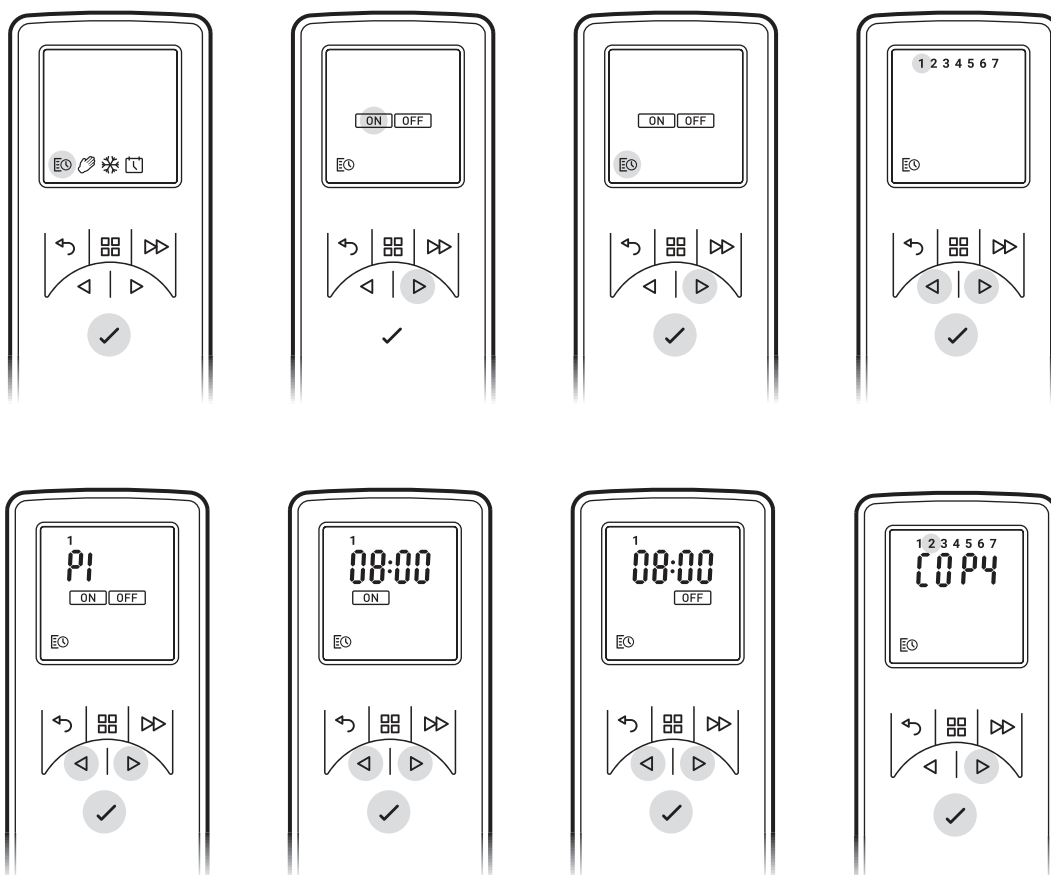
Premere il pulsante di Invio per copiare i programmi di riscaldamento P1-P4 recentemente programmati su altri giorni.

Verrà visualizzato "Copy" ("copia") sulla schermata

Per copiare sul giorno successivo di una sequenza premere il pulsante ▷. Per deselegionare il giorno successivo di una sequenza premere il pulsante di Invio.

Verranno visualizzati in cima alla schermata i giorni della settimana selezionati. Non saranno visibili i giorni che sono stati deselezionati (vedere gli Schemi).

Premere Invio per confermare, lampeggerà la retroilluminazione e riapparirà la schermata iniziale.



Ottenere l'effetto fiamma desiderato

1. Utilizzando il telecomando premere MENU: sul display lampeggerà FIRE, premere il pulsante di Invio. Sarà visualizzata l'attuale impostazione. Premere ^ o v per passare da F1 a F6 e viceversa. F1 è l'impostazione più bassa e F6 la più elevata.
2. Generalmente le fiamme appaiono più realistiche quando il controllo della fiamma è abbassato.
3. Aspettare che il generatore della fiamma si adatti all'eventuale cambiamento.
4. Il caminetto utilizzerà meno acqua se l'effetto fiamma è impostato su un livello basso.
5. Non inclinare o spostare il caminetto quando è presente ancora dell'acqua nel serbatoio o nella vaschetta.
6. Assicurarsi che il caminetto sia su una superficie in piano.

Personalizzare il display

Il punto di impostazione massimo della temperatura per l'apparecchiatura è di 30°C. È possibile ridurre questo punto di impostazione. È inoltre possibile cambiare da °C a °F e viceversa.

1. Premere il pulsante del Menu.
2. Premere il pulsante ADV due volte, lampeggerà SP.
3. Premere Invio per confermare.
4. Premere v o ^ per scegliere tra °C e °F.
5. Premere Invio per confermare.
6. Premere v o ^ per scegliere il punto di impostazione massimo della temperatura.
7. Premere Invio per confermare.
8. Premere BACK tre volte per tornare alla schermata iniziale.

Manutenzione

SUGGERIMENTI GENERALI

Utilizzare esclusivamente acqua del rubinetto filtrata per questa apparecchiatura.

Assicurarsi sempre che l'apparecchiatura sia posizionata su una superficie in piano.

Se non si ha intenzione di utilizzare l'apparecchiatura per un periodo superiore alle 2 settimane, rimuovere la vaschetta e il serbatoio e vuotarne l'acqua al loro interno.

Una volta installata, non spostare mai o appoggiare l'apparecchiatura sul retro senza prima aver vuotato l'acqua dalla vaschetta e dal serbatoio dell'acqua.

RIEMPIRE IL SERBATOIO DELL'ACQUA

Quando il serbatoio dell'acqua è vuoto, la fiamma e l'effetto fumo si arrestano ed è possibile udire due segnali acustici. Seguire i seguenti passaggi.

1. Premere l'interruttore "A" sullo (0) (Vedere Fig.4)
2. Sollevare delicatamente il piano per combustibile al di fuori del caminetto.
3. Rimuovere il serbatoio dell'acqua sollevandolo verso l'alto e verso l'esterno.
4. Posizionare il serbatoio dell'acqua all'interno del lavandino e rimuovere il tappo ruotando in senso antiorario.
5. Riempire il serbatoio solo con acqua del rubinetto filtrata. Questo passaggio è fondamentale per prolungare la durata dell'unità di produzione della fiamma e dell'effetto fumo. L'acqua deve essere filtrata attraverso una normale unità di filtraggio dell'acqua domestica e il filtro dovrebbe essere sostituito regolarmente.
6. Avvitare nuovamente il coperchio, senza stringere eccessivamente.
7. Riposizionare il serbatoio nella vaschetta, con il tappo del serbatoio rivolto verso il basso.
8. Rimettere delicatamente il piano per combustibile in posizione.
9. Premere l'interruttore "A" sulla posizione di accensione ON (I) (vedere Fig. 4)

PULIZIA

Avvertenza – Premere sempre l'interruttore "A" in posizione di spegnimento "OFF" (0) (vedere Fig.4) e disconnettere l'apparecchiatura dall'alimentazione prima di pulire il caminetto.

Consigliamo di pulire i seguenti componenti una volta ogni due settimane, in particolare nelle zone con acqua dura: serbatoio dell'acqua, vaschetta, ugello, tappo e guarnizione del serbatoio, filtro dell'aria.

Per una pulizia generale utilizzare un panno morbido e pulito, non utilizzare mai detersivi abrasivi.

Per rimuovere qualsiasi accumulo di polvere o lanugine, dovrebbe essere utilizzata occasionalmente una spazzola morbida collegabile all'aspirapolvere.

Serbatoio dell'acqua

1. Rimuovere il serbatoio dell'acqua, come descritto in precedenza, posizionarlo nel lavandino e vuotare l'acqua al suo interno.
2. Utilizzare il pennello in dotazione passandolo delicatamente sulle superfici interne del coperchio, facendo particolare attenzione all'anello di gomma nella scanalatura esterna e alla guarnizione di gomma centrale.
3. Inserire una piccola quantità di detersivo per piatti nel serbatoio, chiudere nuovamente il coperchio e agitare bene, risciacquare fino a che tutte le tracce del detersivo siano scomparse.
4. Riempire nuovamente il serbatoio esclusivamente con acqua del rubinetto e richiudere il coperchio senza stringerlo eccessivamente.

Vaschetta

1. Estrarre delicatamente il piano per combustibile e appoggiarlo sul pavimento facendo attenzione.
2. Premere l'interruttore "A" in posizione di spegnimento "OFF" (0).
3. Rimuovere il serbatoio dell'acqua sollevandolo verso l'alto.
4. Disconnettere il connettore elettrico posizionato sul retro dell'apparecchiatura, al di sotto dell'etichetta dei valori nominali. (Vedere Fig.5) .
5. Premere, aprendoli, i ganci rossi.
6. Sollevare delicatamente l'ugello arancione e accantonarlo.
7. Sollevare la vaschetta facendo attenzione a non far fuoriuscire l'acqua eventualmente al suo interno.
8. Il trasduttore è fissato all'interno della vaschetta da un piccolo gancio. Tirare indietro il gancio per staccare il trasduttore dalla vaschetta. Inclinare la vaschetta delicatamente, affinché fuoriesca l'acqua al suo interno.
9. Inserire una piccola quantità di detersivo per piatti nella vaschetta e, utilizzando il pennello in dotazione, pulire delicatamente il trasduttore, compresi i dischi in metallo situati nella scanalatura superiore. (Vedere Fig.7)
10. Una volta effettuata la pulizia, sciacquare accuratamente la vaschetta con acqua pulita, al fine di rimuovere qualsiasi traccia di detersivo per piatti.
11. Pulire l'ugello con il pennello e sciacquare accuratamente con acqua. (Vedere Fig.8)
12. Seguire i passaggi sopra indicati in ordine inverso per rimontare il tutto.

Filtro dell'aria

1. Estrarre delicatamente il piano per combustibile e appoggiarlo sul pavimento facendo attenzione.
2. Far scivolare delicatamente il filtro dell'aria verso l'alto, estraendolo dal suo contenitore di plastica. (Vedere Fig.9)
3. Sciacquare delicatamente con acqua all'interno del lavandino e asciugare con un telo asciutto prima di riposizionare il componente.
4. Riposizionare il componente assicurandosi che il filtro nero e ruvido sia rivolto verso la parte anteriore del caminetto.
5. Riposizionare il piano per combustibile.

Informazioni aggiuntive

SERVIZIO POST-VENDITA

Il vostro prodotto ha una garanzia di due anni a partire dalla data di acquisto. In questo periodo, ci impegniamo a riparare o sostituire il prodotto gratuitamente (ad esclusione di lampadine e in base alla disponibilità), purché sia installato e fatto funzionare in conformità con queste istruzioni. I vostri diritti ai sensi della presente garanzia sono aggiuntivi rispetto ai diritti del consumatore, che a loro volta non risentono della presente garanzia.

RICICLAGGIO



Per prodotti elettrici venduti all'interno dell'Unione Europea - Al termine della vita utile, un prodotto elettrico non dovrebbe essere smaltito con i rifiuti domestici. Si prega di riciclare nelle strutture apposite. Verificare con le autorità locali o con il rivenditore per consigli sul riciclaggio nel proprio paese.

BREVETTO/DOMANDA DI BREVETTO

I prodotti all'interno della gamma Optymist sono protetti da uno o più dei seguenti brevetti e domande di brevetto:

Gran Bretagna GB 2402206, GB 2460259, GB 2460453, GB 2418014, GB 2465738, GB 2449925, GB 2465537, GB 2455277, GB1020534.2, GB1020537.5, GB1110987.3

Stati Uniti US 7967690, US 2010299980, US 2011062250, US 2008028648, US 13/167,042

Russia RU2008140317

Europa EP 2029941, EP 2201301, EP 2315976, EP 1787063, EP07723217.1, EP11170434.2, EP 11170435.9

Cina CN 101883953, CN 200980128666.2, CN 101057105, CN 101438104

Australia AU 2009248743, AU 2007224634

Canada CA 2725214, CA 2579444, CA 2645939

Domanda di brevetto internazionale WO 2006027272

Sudafrica ZA 200808702

Messico MX 2008011712

Corea KR 20080113235

Giappone JP 2009529649

Brasile BR P10708894-9

India IN 4122/KOLNP/2008

Nuova Zelanda NZ 571900

Risoluzione dei problemi		
Sintomo	Causa	Azione correttiva
L'effetto fiamma non parte.	Il cavo della corrente non è collegato. Basso livello dell'acqua. Il connettore a bassa tensione non è collegato correttamente (Fig. 5). L'Unità trasduttore non risiede correttamente nella Vasca di raccolta.	Verificare che la spina sia correttamente collegata alla presa della corrente. Verificare che il Serbatoio dell'acqua sia pieno e che sia presente dell'acqua nella Vasca di raccolta. Verificare che il connettore sia inserito correttamente (Fig. 5). Accertarsi che il Trasduttore risieda nel vano sagomato della Vasca di raccolta.
L'effetto fiamma è troppo basso.	Il Disco in metallo del Trasduttore potrebbe essere sporco (Fig. 7). Il filo dell'Unità trasduttore è sopra al Disco di metallo.	Pulire il Disco di metallo con la spazzola morbida in dotazione (Fig. 7). Vedere "Manutenzione" per una procedura passo per passo. Indirizzare il filo verso il retro della Vasca di raccolta e accertarsi che risieda nella scanalatura laterale che esce dalla vasca.
Durante l'uso dell'unità si avverte un odore sgradevole.	Acqua sporca o stagnante. È stata usata acqua di rubinetto non filtrata.	Pulire l'unità come descritto nella sezione Manutenzione. Usare solo acqua di rubinetto filtrata.
Le Lampadine principali non funzionano e non c'è né fiamma né fumo.	Non c'è acqua nel serbatoio.	Seguire le istruzioni nella sezione Manutenzione , "Riempimento del Serbatoio dell'acqua". Verificare che la spina sia collegata correttamente alla presa e che l'Interruttore "A" Fig. 4 sia nella posizione "ON" (I).

Inleiding

Dank u voor het kiezen voor dit Dimplex elektrisch vuur. Lees aub deze informatiegids zorgvuldig om uw product veilig te kunnen installeren, gebruiken en onderhouden.

Belangrijk Veiligheidsadvies

Bij het gebruik van elektrische toestellen moeten altijd basisvoorzorgen worden nageleefd om het gevaar op brand, elektrische schok en lichamelijk letsel te verminderen, met inbegrip van het volgende:

1. WAARSCHUWING

Plaats geen materialen of kledingstoffen op het toestel en verhinder de luchtcirculatie errond niet.

Dit toestel draagt de DO NOT COVER (NIET AFDEKKEN) waarschuwing.

2. SCHADE

Gebruik dit toestel niet nadat het is gevallen.

Indien het toestel beschadigd is, win dan de raad in van de verdeler vóór installatie en gebruik.

Als het stroomsnoer is beschadigd moet het worden vervangen door de fabrikant of een onderhoudstechnicus, of een gelijkaardig gekwalificeerd persoon, dit om gevaar te vermijden.

3. PLAATSING

Nooit buitenshuis gebruiken.

Nooit gebruiken in de onmiddellijke omgeving van een bad, douche of zwembad.

Het vuur nooit direct onder een vast stopcontact of verbindingsdoos plaatsen.

Zorg ervoor dat meubelen, gordijnen of ander brandbaar materiaal niet dichterbij dan 1 meter van het toestel worden geplaatst. Gebruik dit toestel op een horizontale, stabiele ondergrond, of bevestig het tegen een muur indien toepasbaar.

4. PLAATS VAN DE STEKKER

Het toestel moet zo worden geplaatst dat de stekker of de isolatieschakelaar bereikbaar is.

Houd het stroomsnoer weg van de voorkant van het toestel.

5. AFSCHAKELLEN

Ingeval van defect trekt u de stekker uit of isoleert u het apparaat.

Trek de stekker uit of isoleer het apparaat als het voor langere tijd niet wordt gebruikt.

6. EIGENAAR/GEBRUIKER

Dit toestel kan worden gebruikt door kinderen vanaf 8 jaar en door personen met beperkte fysieke, zintuiglijke of mentale capaciteiten of met gemis aan ervaring en kennis ervan, als zij onder supervisie staan of instructies kregen over het veilige gebruik van het toestel en zij de inherente gevaren ervan begrijpen. Kinderen mogen niet met het toestel spelen. Schoonmaken en gebruikersonderhoud zal niet worden uitgevoerd door kinderen zonder supervisie.

Kinderen van minder dan 3 jaar oud moeten weggehouden worden van het toestel, behalve als zij onder voortdurende supervisie staan. Kinderen tussen 3 en 8 jaar oud mogen het toestel alleen aan- en uitschakelen als het is geïnstalleerd op de normale gebruiksplaats en hen supervisie werd gegeven en zij instructies ontvingen over het veilige gebruik van het toestel en zij de gevaren hierbij begrijpen. Kinderen tussen 3 en 8 jaar mogen het toestel niet aanschakelen, het regelen, schoonmaken of gebruikersonderhoud ervan uitvoeren.

7. ELEKTRICITEIT

WAARSCHUWING – DIT TOESTEL MOET WORDEN GEAARD.

Dit toestel mag enkel worden gebruikt op wisselstroom (AC ~) netvoeding en het voltage aangeduid op de verwarmers moet overeenkomen met het voltage van de voeding. Lees vóór u het toestel aanschakelt het veiligheidsadvies en de gebruikershandleiding.

OPGELET: Sommige onderdelen van dit product kunnen erg heet worden en brandwonden veroorzaken. Bijzondere aandacht dient te worden geschonken als er zich kinderen of kwetsbare

personen in de omgeving bevinden.

WAARSCHUWING – Dek het toestel nooit af, dit om oververhitting te voorkomen.

Algemene Informatie

Gebruik enkel gefilterd water in dit toestel.

Verzekert u er altijd van dat het toestel op een vlakke ondergrond staat.

Nota: Het is mogelijk dat bij gebruik in een omgeving met erg laag achtergrondgeluid u een geluid hoort dat gerelateerd is aan de werking van het vlameffect. Dit is normaal en mag geen reden voor bezorgdheid zijn.

Bij een stroompiek voor welke reden dan ook, kan het toestel uitschakelen. Dit is een normale veiligheidsvoorziening en het toestel schakelt na 30 seconden opnieuw aan.

Eens geïnstalleerd, mag u het toestel nooit verplaatsen of het op zijn rug leggen zonder eerst het water uit de vergaarbak en de watertank te draineren. Als u voorziet om het toestel langer dan twee weken niet te gebruiken, draineert u het water uit de watertank en droogt u de vergaarbak.

De watertank, vergaarbak, vergaarbakdeksel en luchtfilters moeten om de twee weken worden schoongemaakt, speciaal in gebieden met hard water.

De vergaarbak en de watertank van dit product zijn behandeld met een a biocide-product, Silver Biocide. Dit beantwoordt aan de laatste toepasbare ISO-norm.

Installatie instructies

VOOR U BEGINT

1. Verwijder alle verpakking (lees de waarschuwingslabels aandachtig) en houd de verpakking bij voor mogelijk later gebruik, zoals verhuis of terugzending van het product naar uw verdeler.
2. Voor u aanschakelt op het stroomnet, moet u nakijken of het stroomvoltage hetzelfde is als dat vermeld op het toestel.

INSTALLATIE

Dit toestel werd ontworpen om ingebouwd te worden in een apart ontworpen structuur – zoals een meubel, een vuurhaard-cassette, etc.

Om dit toestel in te bouwen in een andere structuur, moet het degelijk verankerd worden en moeten de volgende richtlijnen worden nageleefd:

VENTILATIE IS ESSENTIEEL

Een geschikte ventilatie is allerbelangrijkst om te verzekeren dat lucht rondom of in het toestel kan circuleren – indien niet, zal het Optimyst vlameffect niet naar behoren werken. Een ruimte van ten minste 100cm² is voor deze luchtventilatie vereist. De luchtstroom mag niet worden geblokkeerd. Voor voorbeelden van luchtventilatie, verwijzen we naar afbeelding 10. De luchtventilatie moet tochtvrij zijn.

3. Maak een opening voor het toestel LxWxH 390x205x170mm (+3-0mm).
4. Verzekert u er van dat er voldoende ruimte is om het netsnoer doorheen te leiden.
5. Een ruimte van ten minste 100cm² is nodig om ervoor te zorgen dat de lucht vrij kan circuleren naar het toestel. – Zie VENTILATIE IS ESSENTIEEL.
6. Breng het toestel in de opening.
7. Neem de vergaarbak uit om toegang te krijgen tot de schroefgaten.
8. Schroef het toestel aan de structuur met behulp van geschikte schroeven, niet bijgeleverd.

De watertank vullen

1. Plaats de watertank in een gootsteen en verwijder de dop (draai tegen de wijzers van de klok in om te openen).
2. Vul de Watertank enkel met gefilterd kraantjeswater. Dit is noodzakelijk om de levensduur van het vlam- en roo-effect van het toestel te verlengen. Het water moet worden gefilterd met een gewone huishoudelijke waterfilter en de filter moet regelmatig worden vervangen. Gedistilleerd water mag niet worden gebruikt.
3. Schroef de dop terug op – niet te hard aandraaien.
4. Plaats de Watertanks in de Vergaarbak, met de dop naar beneden en de vlakke kant van de tank naar buiten gericht.
5. Plaats de Vuurhaard (Fuelbed) boven op de Watertank.

Verbind het stroomsnoer met de juiste stoomverbinding achteraan het toestel en verbind de kabel vervolgens met een 13amp/240volt stopcontact. Het toestel is nu klaar voor gebruik.

De Haard bedienen



Dit gedeelte beschrijft hoe u de haard bedient met ofwel manuele of afstandscontrole.

MANUELE BEDIENING

U vindt de manuele bediening onder de Vuurhaard.
(Zie Afb.4 voor lay-out van de manuele bediening)

Toets 'A':- Bedient de elektriciteitsvoorziening naar de Haard.


Nota: Deze toets moet in de 'ON = AAN' (I) stand staan om de Haard te laten werken.

Toets 'B':- Druk  in voor het vlameffect. Dit wordt bevestigd door een hoorbare bieptoon. Hoewel de hoofdverlichting onmiddellijk aanschakelt, duurt het nog 30 seconden langer vóór het vlameffect opstart. Druk  in om de haard in de stand-by modus te brengen. Dit wordt aangeduid door één bieptoon.

CONTROLE VIA DE AFSTANDSBEDIENING

Bij de afstandsbediening vindt u 2 AA-batterijen. Til het dekseltje achteraan de afstandsbediening op en breng de batterijen in, waarbij u acht slaat op de polariteit.

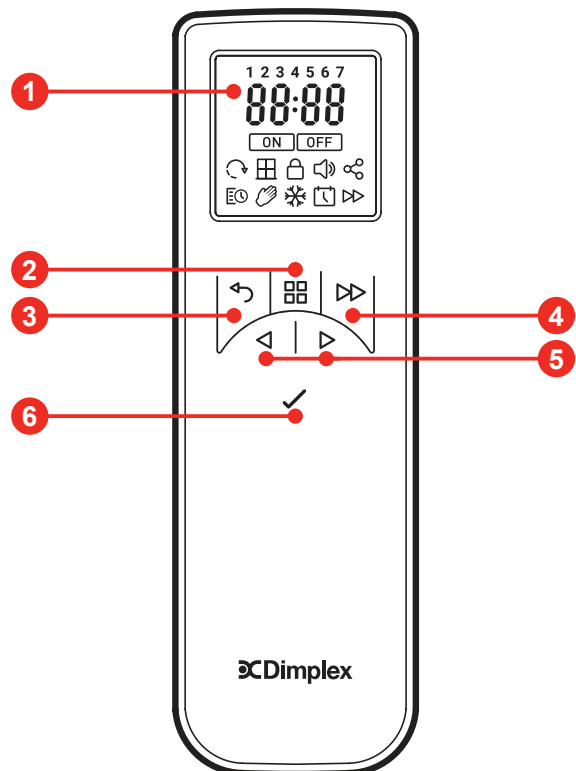
De afstandsbediening is al draadloos verbonden met uw toestel (paired) in de fabriek. In het weinig waarschijnlijke geval dat de afstandsbediening afschakelt van uw toestel, of als u een vervangingsapparaat ontvangt, moet u het pairing-proces herhalen:

1. Met het toestel aangeschakeld, drukt u toets A in de ON (I) = AAN positie. U moet nu een bieptoon horen.
2. Druk 'Toets 6' in en houd ingedrukt tot PAIR op het scherm verschijnt.
3. Breng de afstandsbediening dichtbij het toestel, naar de plaats waar zich de ontvanger bevindt . Zie Afb 4.
4. Het toestel zal beginnen biepen en knipperen.
5. Druk 'Toets 6' in om het pairing-proces te beëindigen. Het toestel zal nu in stand-by modus gaan.

Het toestel aanschakelen

Druk de ENTER-toets in en houd gedurende 3 seconden ingedrukt om de afstandsbediening te activeren. FIRE verschijnt op het scherm en ON = AAN zal flikkeren. Druk op ENTER om het toestel aan te schakelen. Om het toestel uit te schakelen, druk op MENU tot FIRE flikkert, waarna u twee keer ENTER indrukt.

- 1 Scherm
- 2 'Menu' toets
- 3 'Terug' toets
- 4 'Verder' toets
- 5 'Op en neer' pijlen
- 6 'Enter' (bevestigen) toets



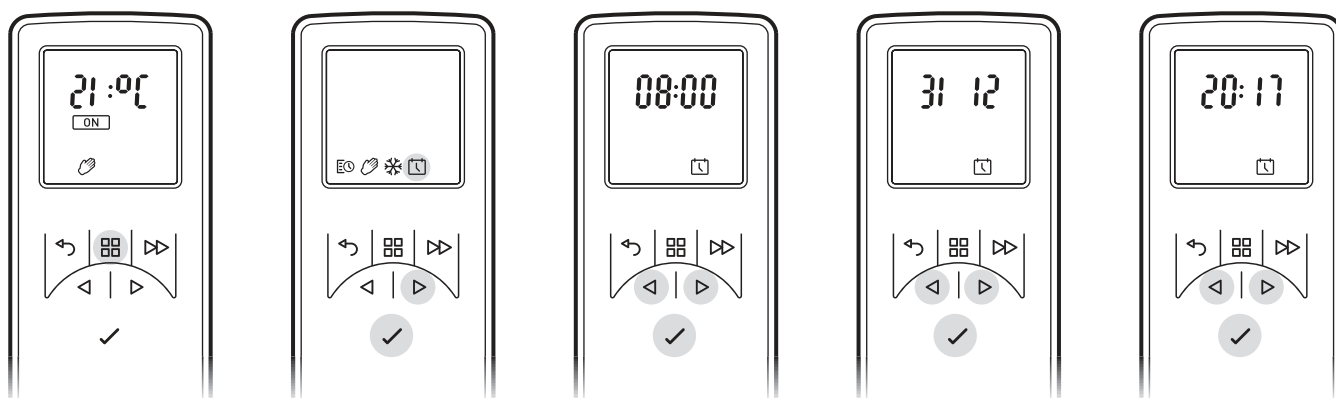
De Vlaminstelling aanpassen

Druk, met de afstandsbediening ingeschakeld, één keer op ▷. FIRE zal fllikeren op het scherm. Druk op ENTER. De nu gebruikte vlaminstelling wordt getoond als F1-F6. Druk op de ▷ en ◀ toetsen om de instelling aan te passen. Nadat u uw vlaminstelling hebt gekozen, drukt u twee keer op TERUG om het menu te verlaten en terug te keren naar het basisscherm.

Datum en Tijd instellen

Om de Datum en de Tijd van de verwarmers in te stellen:

1. Druk op de Menu-toets.
2. Druk 4 keer op de ▷-toets.
3. Druk op Enter terwijl het Datum en Tijd icoon fllikert.
4. Druk op Enter om de Tijd in te stellen.
5. Druk op ◀ en ▷ om het Uur in te stellen en druk dan op Enter.
6. Druk op ◀ en ▷ om de Minuten in te stellen en druk op Enter om de Tijd te bevestigen.
7. Druk op ◀ en ▷ om de Dag in te stellen en druk dan op Enter.
8. Druk op ◀ en ▷ om de Maand in te stellen en druk dan op Enter.
9. Druk op ◀ en ▷ om het Jaar in te stellen, druk dan op Enter om de Datum te bevestigen.



Gebruik-Timer – Om de standaardinstellingen van de fabriek opnieuw te programmeren:

1. Druk op de Menu-toets.
2. Druk 1 keer op ▷ zodra het instellingen-icoon fllikert (Schedule). Druk op Enter.
3. Druk twee keer op ▷, druk dan op Enter.
Dagen van de Week verschijnt nu bovenaan het scherm
Day 1 = Maandag
Day 2 = Dinsdag
Day 3 = Woensdag
Day 4 = Donderdag
Day 5 = Vrijdag
Day 6 = Zaterdag
Day 7 = Zondag
4. Druk op Enter om Dag 1 aan te passen, of druk op ▷ om naar de gewenste dag te gaan, druk daarna op Enter om de keuze te bevestigen.
5. P1 verschijnt op het scherm.
6. Druk op Enter om P1 te selecteren, om te veranderen naar P2, P3 of P4 drukt u op ▷ en daarna op Enter om te kiezen.
7. ON licht op, druk op Enter om de Tijd in te stellen.
8. Druk op ◀ of ▷ om het begin-Uur aan te passen, druk dan op Enter om te bevestigen.
9. Druk op ◀ of ▷ om de begin-Minuten aan te passen, druk dan op Enter om te bevestigen.
10. Druk op ◀ of ▷ om de Temperatuur aan te passen, druk dan op Enter om te bevestigen.
11. Druk op ◀ of ▷ om het eind-Uur aan te passen, druk dan op Enter om te bevestigen.
12. Druk op ◀ of ▷ om de eind-Minuten aan te passen, druk dan op Enter om te bevestigen.

Druk op Enter om Programma P2 aan te passen, volg stappen 5-12, druk op ▷ om verder te gaan naar P3.

Druk op Enter om Programma 3 aan te passen, volg stappen 5-12, druk op ▷ om verder te gaan naar P4.

Druk op Enter om Programma P4 aan te passen, volg dan stappen 5-12.

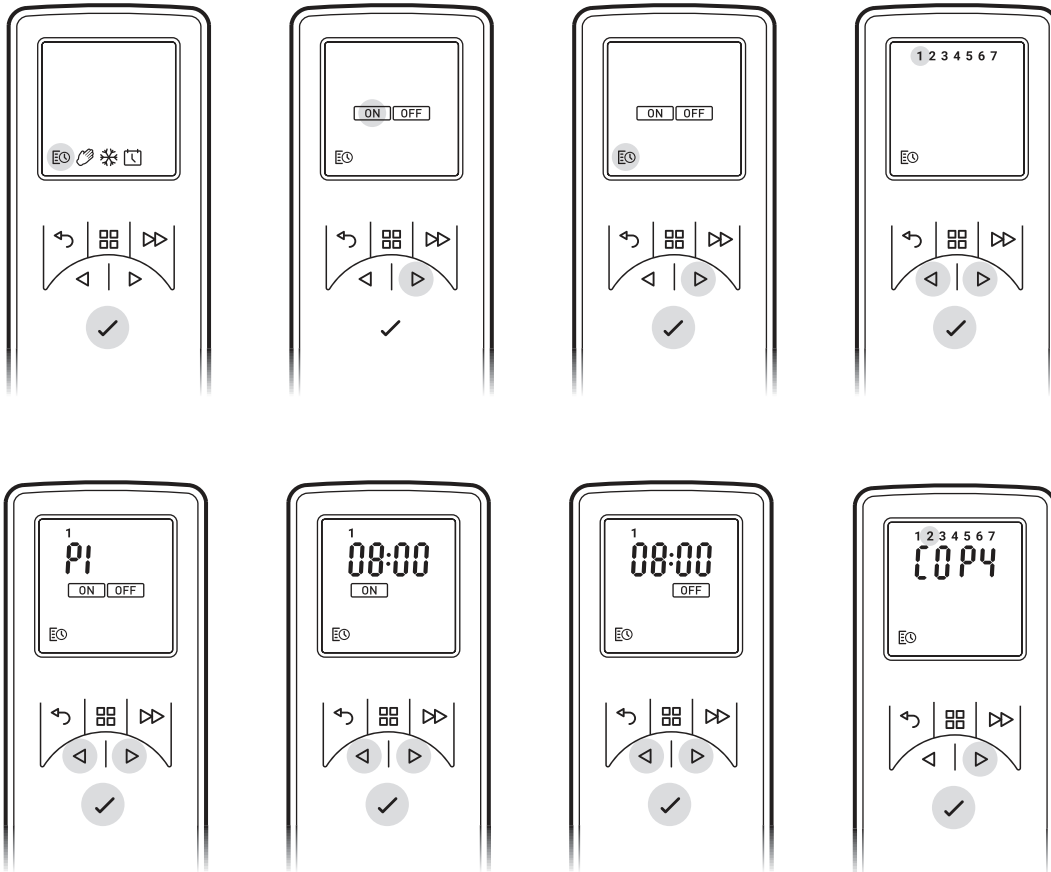
Om nieuw geprogrammeerde P1-P4 warmteprogramma's te kopiëren naar de andere dagen, drukt u op de Enter toets.

Copy (kopiëren) verschijnt op het scherm. Om naar de volgende dag in de rij te kopiëren, drukt u op de ▷ toets. Om

de volgende dag in de rij over te slaan, drukt u op de Enter toets.

De gekozen dagen van de week verschijnen bovenaan op het scherm. De dagen die niet werden geselecteerd zijn niet zichtbaar (zie afbeeldingen).

Druk Enter om te bevestigen. Een tegenlicht zal fllikkeren en u keert terug naar het basisscherm.



Het gewenste Vlammeffect instellen

1. Druk MENU op de afstandsbediening. FIRE zal fllikkeren op het scherm, druk dan op ENTER. De bestaande instelling verschijnt. Druk op ^ of v om over te schakelen van F1 naar F6. F1 is de laagste instelling en F6 is de hoogste stand.
2. Gewoonlijk lijken de vlammen realistischer met de vlamcontrole laag ingesteld.
3. Gun de vlamgenerator de nodige tijd om te reageren op de veranderingen die u maakt.
4. De haard zal minder water verbruiken als het vlammeffect op een lagere stand is ingesteld.
5. Kantel de haard niet, en verplaats hem niet als er water in de tank of de vergaarbak zit.
6. Verzekert u van dat de haard op een vlakke ondergrond staat.

Het Display aanpassen

De maximum instelbare temperatuur van het toestel is 30°C. U kunt dit instelpunt verlagen. U kunt ook veranderen van °C naar °F.

1. Druk op de Menu toets.
2. Druk twee keer op de 'Verder' toets - SP zal fllikkeren.
3. Druk op Enter om te bevestigen.
4. Druk op v of ^ om te kiezen tussen °C en °F.
5. Druk op Enter om te bevestigen.
6. Druk op v of ^ om uw maximumtemperatuurinstelling te kiezen.
7. Druk op Enter om te bevestigen.
8. Druk drie keer op 'Terug' om terug te keren naar het beginscherm.

ALGEMENE TIPS

Gebruik enkel gefilterd kraantjeswater in dit toestel. Verzeker er u altijd van dat het toestel op een vlak oppervlak staat. Als u denkt het toestel langer dan 2 weken niet te gebruiken, verwijder en leeg dan de vergaarbak en de watertank. Eens geïnstalleerd, mag u het toestel nooit verplaatsen of op zijn rug leggen zonder eerst het water uit de vergaarbak en de watertank te draineren.

DE WATERTANK VULLEN

Als de watertank leeg is, sluiten de vlam- en rooeffecten af en hoort u twee bieptonen. Volg dan de volgende stappen:

1. Zet toets 'A' op (0) (zie Afb.4).
2. Til de vuurhaard voorzichtig uit en zet hem voorzichtig opzij.
3. Verwijder de watertank door hem naar boven en naar buiten te tillen.
4. Plaats de watertank in een gootsteen en verwijder de dop. Draai tegen de wijzers van de klok in om te openen.
5. Vul de Watertank enkel met gefilterd kraantjeswater. Dit is noodzakelijk om de levensduur van het vlam- en rooeffect van het toestel te verlengen. Het water moet worden gefilterd met een gewone huishoudelijke waterfilter en de filter moet regelmatig worden vervangen. Gedistilleerd water mag niet worden gebruikt.
6. Schroef de dop terug op – niet te hard aandraaien.
7. Plaats de Watertank in de Vergaarbak, met de dop naar beneden.
8. Plaats de Vuurhaard terug op zijn plaats.
9. Zet toets 'A' in de 'ON' (I) positie (Zie Afb.4).

SCHOONMAKEN

Waarschuwing – Zet Toets 'A' altijd in de 'OFF' (UIT) (0) positie (Zie Afb.4) en koppel af van de stroomtoevoer vóór u de haard schoonmaakt.

Wij raden aan om de volgende onderdelen om de twee weken schoon te maken, vooral in gebieden met hard water: Watertank, Opvangbak, Sproeikop, Tankdop en -dichting, Luchtfilter.

Gebruik voor algemene schoonmaak een zacht, schoon stofdoek – gebruik nooit schuurmiddelen.

Om ophoping van stof of pluis te verwijderen, kan het zachter borstel-opzetstuk van een stofzuiger occasioneel worden gebruikt.

Watertank

1. Verwijder de watertank zoals eerder beschreven, zet hem in een gootsteen en giet het water eruit.
2. Gebruik de bijgeleverde borstel om de binnenkanten van de dop zachtjes te schrobben, waarbij u bijzondere aandacht schenkt aan de rubberen ring in de buitenste groef en de centraal gelegen rubberen afsluitring.
3. Doe een beetje afwasmiddel in de tank, zet de dop er terug op en schud hard. Spoel tot elk spoor van afwasmiddel is verdwenen.
4. Vul enkel met gefilterd kraantjeswater, zet de dop erop zonder te hard aan te draaien.

Vergaarbak

1. Til de Vuurhaard voorzichtig uit en plaats hem voorzichtig op de grond.
2. Druk Toets 'A' in de 'OFF' (UIT) (0) stand.
3. Verwijder de watertank door hem omhoog te tillen.
4. Koppel de elektrische verbinding los die u vindt achteraan op het toestel, onder het classificatielabel (Zie Afb. 5).
5. Knijp de rode verzekeringspennen open.
6. Til de oranje sproeikop voorzichtig uit en zet hem opzij.
7. Til de vergaarbak uit, waarbij u erop let geen water dat er nog in zit te morsen.
8. De omvormer is met een kleine clip vastgemaakt binnen in de vergaarbak. Druk deze vergrendeling weg zodat u de omvormer uit de vergaarbak kunt halen. Kantel die voorzichtig, zodat de vloeistof uit de vergaarbak loopt.
9. Doe een klein beetje afwasmiddel in de vergaarbak en gebruik de bijgeleverde borstel om alle oppervlakten van de vergaarbak schoon te maken, en maak voorzichtig ook de omvormer schoon, met inbegrip van de metalen schijven die u vindt in de groeven bovenaan (Zie Afb. 7).
10. Na het schoonmaken spoelt u de vergaarbak grondig uit met zuiver water om alle resten van het afwasmiddel te verwijderen.
11. Maak de sproeikop schoon met de borstel en spoel hem grondig uit met zuiver water (Zie Afb.8).
12. Volg de bovenstaande stappen in omgekeerde volgorde om terug te assembleren.

Luchtfilter

1. Til de Vuurhaard voorzichtig uit en zet hem voorzichtig op de grond.
2. Schuif de luchtfilter zachtjes omhoog uit de plastic behuizing (Zie Afb.9).
3. Spoel voorzichtig met water in de gootsteen en droog af met een stoffen handdoek voor u hem terugplaatst.
4. Plaats de filter terug waarbij u ervoor zorgt dat de ruwe, zwarte filter naar voren in de haard is gepositioneerd.
5. Plaats de Vuurhaard terug.

Bijkomende informatie

NAVERKOOPDIENST

Uw product is vanaf de aankoopdatum gedurende twee jaar gewaarborgd. Binnen deze periode garanderen wij dit toestel gratis te herstellen of te vervangen (met uitzondering van lampen & indien beschikbaar) op voorwaarde dat het werd geïnstalleerd en gebruikt zoals aangegeven in deze instructies. Uw rechten onder deze waarborg zijn additioneel bij uw wettelijke rechten die op hun beurt niet worden aangetast door deze waarborg.

RECYCLEREN



Voor elektrische producten verkocht binnen de Europese Gemeenschap – Op het einde van het gebruiksleven van elektrische producten mogen deze niet worden verwijderd samen met huishoudelijk afval. Recycleer alstublieft waar deze mogelijkheid wordt aangeboden. Vraag bij uw plaatselijke autoriteiten om recycleeradvies in uw land.

PATENT / PATENTAANVRAAG

Producten van de Optimyst reeks worden beschermd door één of meer van de volgende patenttoepassingen:

Verenigd Koninkrijk GB 2402206, GB 2460259, GB 2460453, GB 2418014, GB 2465738, GB 2449925, GB 2465537, GB 2455277, GB1020534.2, GB1020537.5, GB1110987.3

Verenigde Staten US 7967690, US 2010299980, US 2011062250, US 2008028648, US 13/167,042

Rusland RU2008140317

Europa EP 2029941, EP 2201301, EP 2315976, EP 1787063, EP07723217.1, EP11170434.2, EP 11170435.9

China CN 101883953, CN 200980128666.2, CN 101057105, CN 101438104

Australië AU 2009248743, AU 2007224634

Canada CA 2725214, CA 2579444, CA 2645939

Internationale Patent Aanvraag WO 2006027272

Zuid-Afrika ZA 200808702

Mexico MX 2008011712

Korea KR 20080113235

Japan JP 2009529649

Brazilië BR P10708894-9

Indië IN 4122/KOLNP/2008

Nieuw-Zeeland NZ 571900

Probleemoplossing

Symptoom	Oorzaak	Oplossing
Het vlameffect start niet.	<p>De netstekker zit niet in het stopcontact.</p> <p>Laag waterniveau.</p> <p>Laagspanningsstekker niet goed aangesloten (Afb.5).</p> <p>De transducer unit zit niet goed in de opvangbak.</p>	<p>Controleer of de stekker goed in het stopcontact zit.</p> <p>Controleer of het waterreservoir vol is en of er water in de opvangbak aanwezig is.</p> <p>Controleer of de stekker goed in het stopcontact zit (Afb.5).</p> <p>Zorg ervoor dat de transducer goed in de holte in de opvangbak zit.</p>
Het vlameffect is te laag.	<p>De metalen schijf in de transducer is mogelijk vuil (Afb.7).</p> <p>De draad van de transducer unit bevindt zich boven de metalen schijf.</p>	<p>Reinig de metalen schijf met de meegeleverde zachte borstel (zie Afb.7) Zie "Onderhoud" voor een stap-voor-stapprocedure.</p> <p>Leidt de draad naar de achterkant van de opvangbak en zorg dat hij in de sleuf aan de zijkant zit, die uit de opvangbak komt.</p>
Onaangename geur als de kachel wordt gebruikt.	<p>Vuil of niet vers water.</p> <p>Het gebruik van ongefilterd leidingwater.</p>	<p>Reinig de kachel zoals beschreven bij onderhoud.</p> <p>Gebruik uitsluitend gefilterd leidingwater.</p>
De hoofdlampen werken niet en er zijn geen vlammen of rook.	Er zit geen water in het reservoir.	<p>Volg de instructies onder Onderhoud, "Het waterreservoir vullen".</p> <p>Controleer of de stekker in het stopcontact zit en dat schakelaar "A" Afb. 4 zich in de stand "ON" (I) bevindt.</p>

Fig. 1

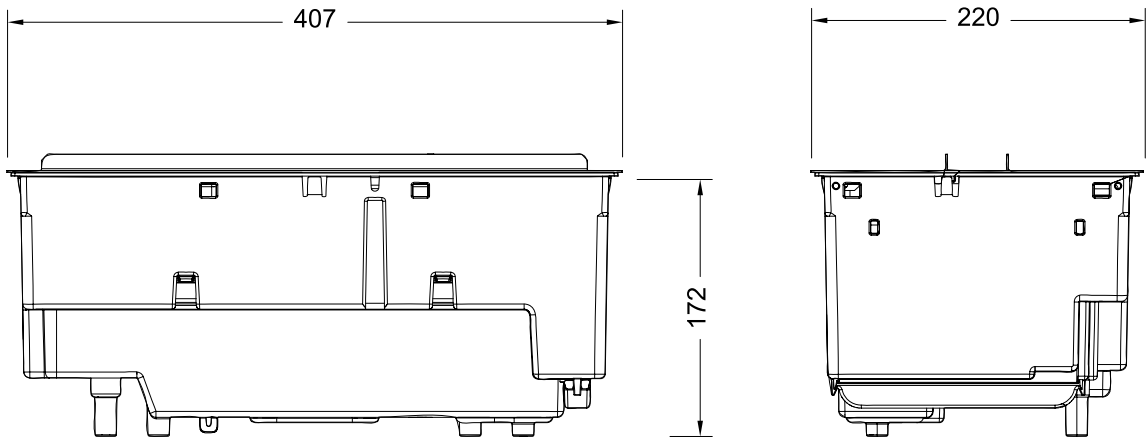


Fig. 2

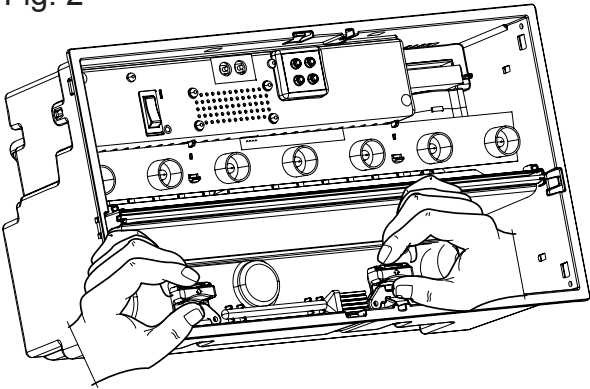


Fig. 3

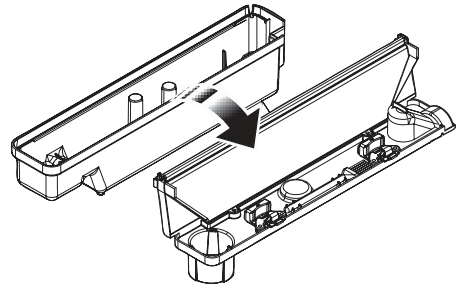


Fig. 4

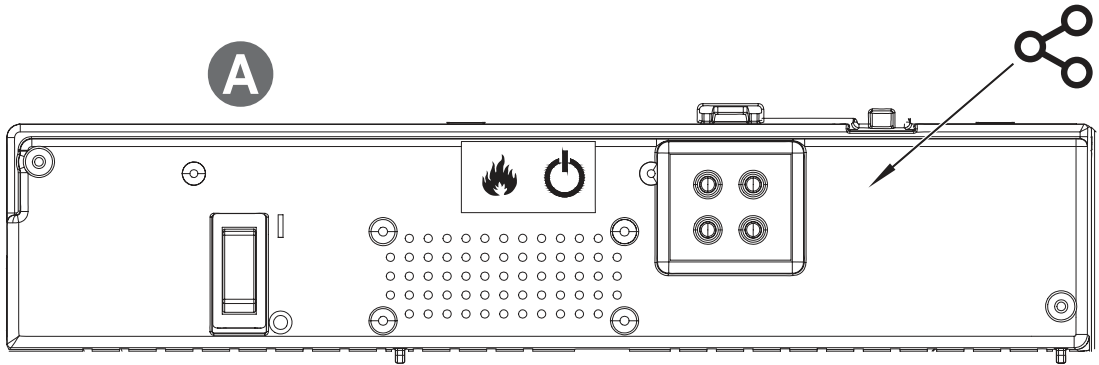


Fig. 5

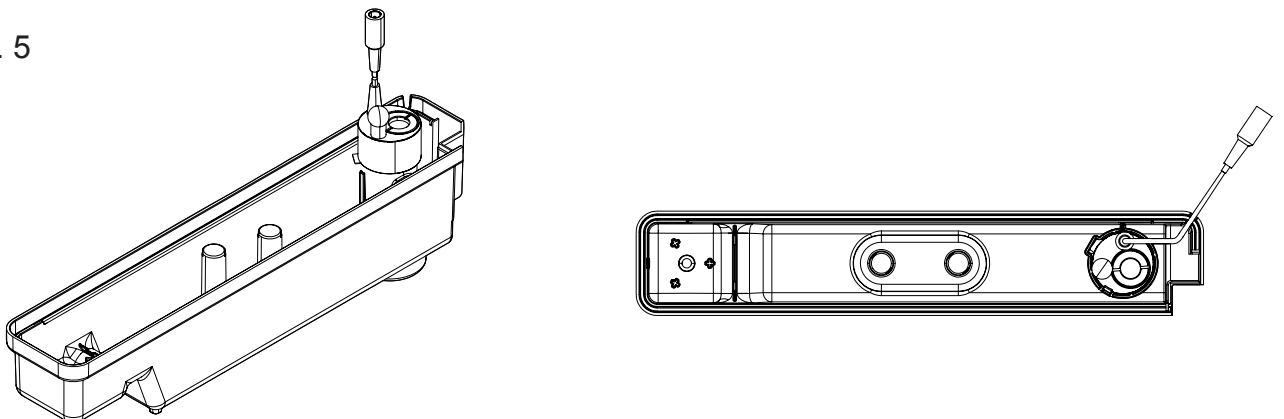


Fig. 6

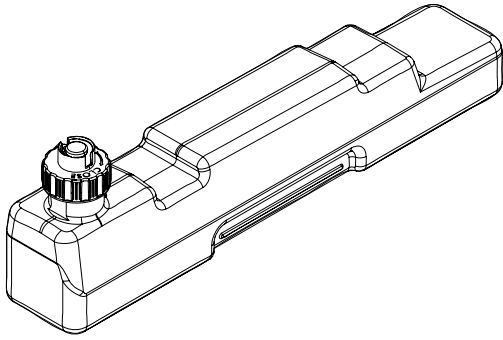


Fig. 7

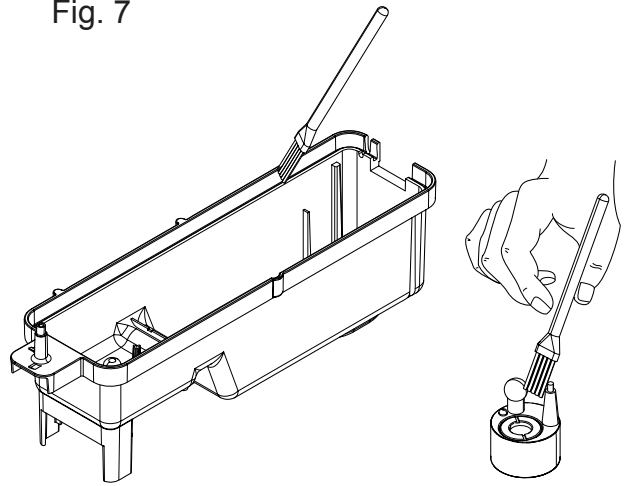


Fig. 8

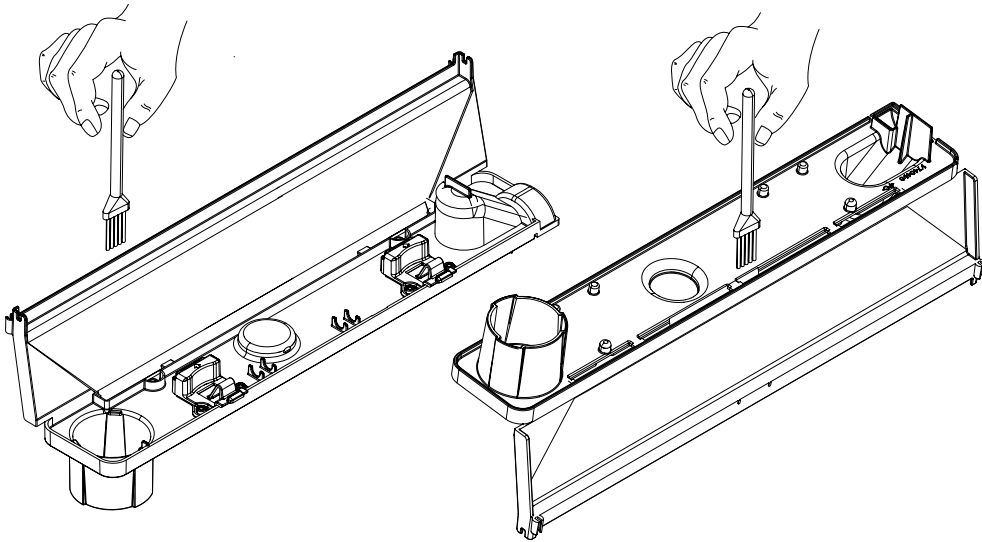


Fig. 9

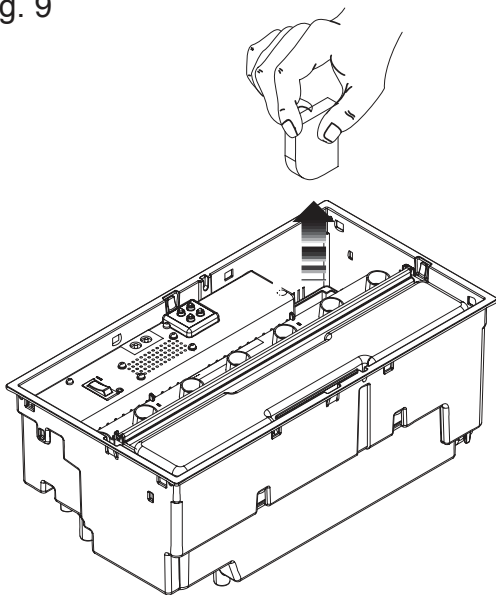


Fig. 10

